

V4914
 Formerly LIN-70914

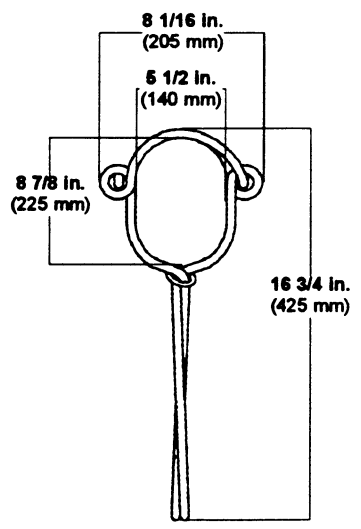
Made of stainless steel, Fallstop® wire form connector provides an anchorage connector for an array of applications.

The wire form connector is fast and easy to use, simply squeeze the spring loaded hook to open, slide the large opening over the structural member and release for closing.

⚠WARNING Always select and anchorage point that is rigid and capable of supporting 5,000 lbs. (22 kN) per person attached.

Applicable standards:
 - Meet ANSI, OSHA and CSA anchorage requirements.

Dimensions:



Unit specifications:	V4914
Material	Stainless steel
Opening	5 1/2 in. (140 mm)
Tensile strength	5,000 lbs. (22 kN)
Weight	0.8 lbs. (376 grams)
Capacity	310 lbs. (140 kg) one person