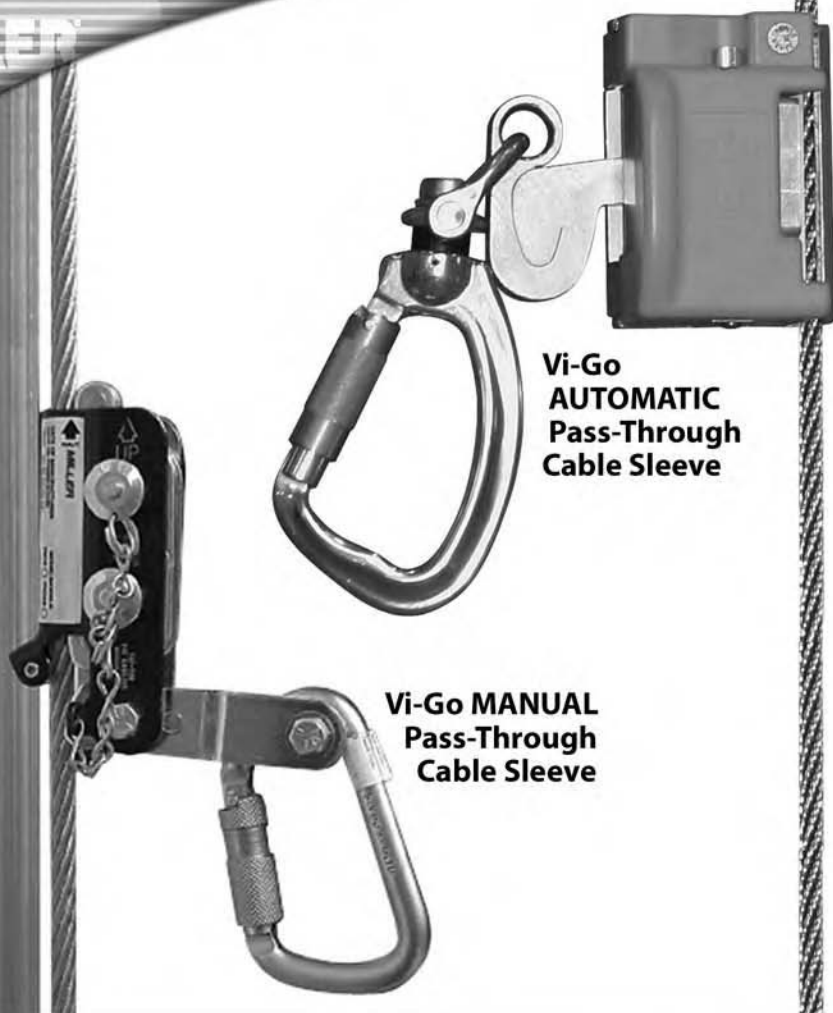


MILLER[®]
by SPERIAN



**Vi-Go
AUTOMATIC
Pass-Through
Cable Sleeve**

**Vi-Go MANUAL
Pass-Through
Cable Sleeve**

Vi-Go Cable Sleeves

User Instruction Manual

Manuel D'utilisation / Manual de Instrucciones para El Usuario

Table of Contents

1.0 Purpose.....	3
1.1 Cable Sleeve Models	
2.0 General Requirements, Warnings and Limitations.....	4-5
2.1 General Fall Protection Warnings	
2.2 Cable Sleeve Warnings and Limitations	
3.0 Cable Sleeve Installation and Operation.....	6-11
3.1 Vi-Go Automatic Pass-Through Cable Sleeve	
3.2 Vi-Go Manual Pass-Through Cable Sleeve	
4.0 Training.....	12
5.0 Inspection and Maintenance.....	12
Labels/Markings.....	13
Inspection and Maintenance Log.....	14
Warranty.....	15

Thank You

Thank you for your purchase of Miller Fall Protection equipment. Miller brand products are produced to meet the highest standards of quality at our ISO 9001:2000 certified facility. Miller Fall Protection equipment will provide you with years of use when cared for properly.

WARNING

All persons using this equipment must read, understand and follow all instructions. Failure to do so may result in serious injury or death. Do not use this equipment unless you are properly trained.

Questions?

CALL
1.800.873.5242

It is crucial that the authorized person/user of this fall protection equipment read and understand these instructions. In addition, it is the employer's responsibility to ensure that all users are trained in the proper use, inspection, and maintenance of fall protection equipment. Fall protection training should be an integral part of a comprehensive safety program.

Proper use of fall arrest systems can save lives and reduce the potential of serious injuries from a fall. The user must be aware that forces experienced during the arrest of a fall or prolonged suspension may cause bodily injury. Consult a physician if there is any question about the user's ability to use this product. Pregnant women and minors must not use this product.

1.0 Purpose

Vi-Go Cable Sleeves are personal fall arresters designed to provide users with superior fall protection for vertical cable lifeline applications. Cable sleeves move smoothly along the lifeline while the user is ascending or descending a ladder and lock instantly in the event of a fall.

1.1 Cable Sleeve Models

Model No.	Product Description
VGCS	Vi-Go Automatic Pass-Through Cable Sleeve
VGCS-C	Vi-Go Automatic Pass-Through Cable Sleeve with Carabiner
VGCS-SC	Vi-Go Automatic Pass-Through Cable Sleeve with Integral Swivel and Carabiner
TRCS	Vi-Go Manual Pass-Through Cable Sleeve
TRCS-C	Vi-Go Manual Pass-Through Cable Sleeve with Carabiner
TRCS-SC	Vi-Go Manual Pass-Through Cable Sleeve with Integral Swivel and Carabiner

2.0 General Requirements, Warnings and Limitations

2.1 General Fall Protection Warnings

All warnings and instructions shall be provided to authorized persons/users. Warnings and instructions must be read and understood prior to using this equipment.

All authorized persons/users must reference the regulations governing occupational safety, as well as applicable standards (i.e, ANSI or CSA). Refer to product labeling for information on specific OSHA regulations, and ANSI and CSA standards met by this product.

Proper precautions should always be taken to remove any obstructions, debris, material, or other recognized hazards from the work area that could cause injuries or interfere with the operation of the system.

All equipment must be inspected before each use according to the manufacturer's instructions.

All equipment should be inspected by a qualified person on a regular basis.

To minimize the potential for accidental disengagement, a competent person must ensure system compatibility.

Equipment must not be altered in any way. Repairs must be performed only by the equipment manufacturer, or persons or entities authorized, in writing, by the manufacturer.

Any product exhibiting deformities, unusual wear, or deterioration must be immediately discarded.

Do not use if the unit or any part of the system appears to be damaged.

Any equipment subject to a fall must be removed from service.

The user shall have a rescue plan and the means at hand to implement it when using this equipment.

Never use fall protection equipment for purposes other than those for which it was designed. Fall protection equipment should never be used for towing or hoisting.

Never remove product labels, which include important warnings and information for the authorized person/user.

2.2 Cable Sleeve Warnings and Limitations

Compatibility

Vi-Go Cable Sleeves are designed for use with Miller approved components. Substitution or replacement with non-approved component combinations, sub-systems, or both, may affect or interfere with the safe function of each other and endanger the compatibility within the system. This incompatibility may affect the reliability and safety of the total system.

Compatible Cable Lifeline

Vi-Go Cable Sleeves are to be attached to Miller approved 3/8" diameter galvanized steel, vertical cable lifelines as part of a Miller ladder safety system. The Vi-Go Automatic Pass-Through Cable Sleeve may also be attached to Miller approved 8mm or 10mm diameter steel cable lifelines.

Compatible Body Support and Connector

Vi-Go Cable Sleeves must be used in conjunction with a Miller full-body harness equipped with a front attachment point. Only a Miller approved auto-locking carabiner or other Miller approved connector capable of supporting a minimum of 5,000 lbs. may be used to link the cable sleeve to the harness.

Capacity

Vi-Go Cable Sleeves are designed for use by one person only. The design working load is 310 lbs. (140.6kg). **DO NOT EXCEED THIS WEIGHT.**

- Do not use for raising or lowering materials or other material handling.

Fall Clearance

Ensure that adequate clearance exists in the fall path to avoid striking a lower level or other object.

Environmental Hazards

Use of this equipment in areas where environmental hazards exist may require additional precautions to limit the possibility of injury to the user or damage to the equipment. Hazards may include, but are not limited to, extreme temperatures, caustic chemicals, corrosive environments, high voltage power lines, explosive or toxic gases, moving machinery, and sharp edges. Do not expose the equipment to any hazard which it is not designed to withstand. Consult the manufacturer in cases of doubt.

- Cable lifeline must be kept clean.
- Use of this system is not suitable when the user is positioned on an unstable surface, fine-grain material, or particulate.

3.0 Cable Sleeve Installation and Operation

- Before installation of the cable sleeve, carefully inspect according to the manufacturer's instructions (see 5.0 Inspection and Maintenance). Do not use if there are any damaged or missing parts.
- Only one person may be secured to a cable sleeve at any given time.
- Use only with Miller approved compatible lifelines/systems.
- Do not use the system if the device does not lock onto the cable lifeline or if any of its components do not operate properly.

WARNING: Personal fall protection must always be used in a situation where a fall hazard exists. A back-up fall arrest system is required when transitioning on and off the system at a height.

3.1 Vi-Go Automatic Pass-Through Cable Sleeve

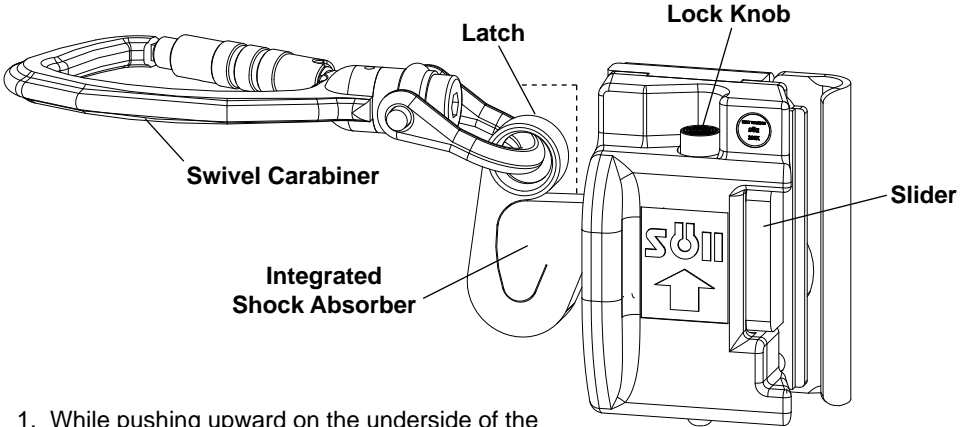


- Corrosion-resistant stainless steel construction.
- Quick and easy to install with absolute single-hand operation.
- Integrated mechanism prevents upside-down installation of the cable sleeve to the cable.
- Hands-free trailing while climbing and descending, and automatically bypasses intermediate Automatic Pass-Through Cable Guides.
- Spring-activated mechanisms always move device back to initial position.
- Dual locking mechanism prevents accidental unlocking of the device from the cable.
- Locks instantly in the event of a fall.
- Built-in shock absorber reduces impact forces on the user in the event of a fall.
- Fall indicator provides for ease of inspection.
- Attaches to 3/8", 8mm or 10mm* diameter steel vertical cable lifelines.

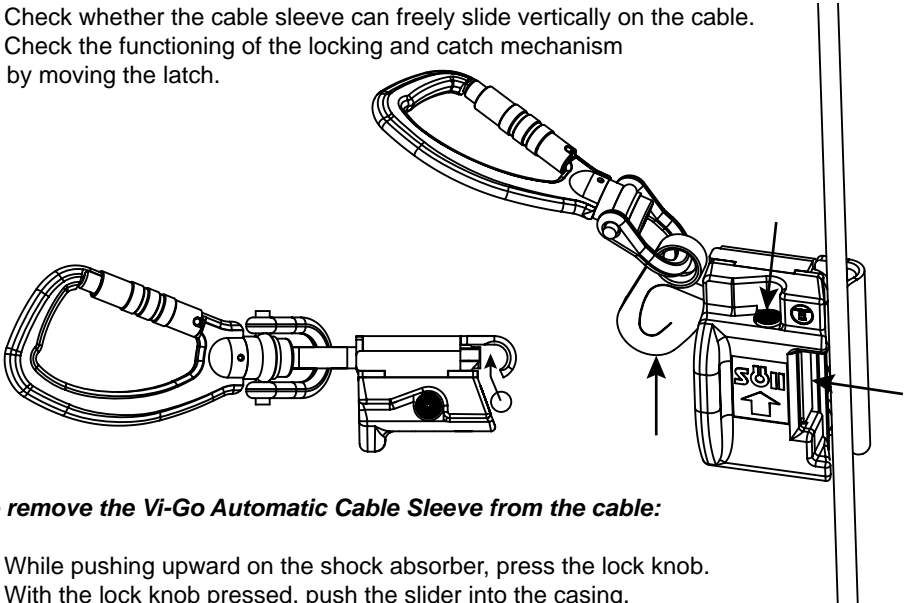
***NOTE:** Automatic Pass-Through Cable Guides (VGCG) are not compatible with 10mm diameter cable lifelines. If the Vi-Go Vertical Cable Lifeline System with Automatic Pass-Through Cable Sleeve is used with 10mm diameter cable, intermediate Manual Pass-Through Cable Guides (TRCG) must be used and therefore the cable sleeve will not automatically bypass intermediate cable guides.

Installing the Vi-Go Automatic Cable Sleeve to Vertical Cable Lifeline

The unique design of the Vi-Go Automatic Cable Sleeve permits one-hand installation to the lifeline, while an anti-inversion mechanism prevents the cable sleeve from being installed upside-down on the cable.



1. While pushing upward on the underside of the shock absorber with your thumb, press the lock knob with your index finger.
2. With the lock knob pressed, push the slider into the casing.
3. Through the now-open gap in the casing of the cable sleeve, place the cable sleeve on the cable such that the arrow on the casing points upward.
4. Release the slider and the lock knob.
5. The Vi-Go Automatic Cable Sleeve is now connected to the cable.
6. Check whether the cable sleeve can freely slide vertically on the cable.
7. Check the functioning of the locking and catch mechanism by moving the latch.



To remove the Vi-Go Automatic Cable Sleeve from the cable:

1. While pushing upward on the shock absorber, press the lock knob.
2. With the lock knob pressed, push the slider into the casing.
3. Through the now-open gap in the casing of the cable sleeve, remove the cable sleeve.
4. Release the slider and the lock knob.

Connecting the Vi-Go Automatic Cable Sleeve to Full-Body Harness

The Vi-Go Automatic Cable Sleeve is to be directly connected to the front attachment point, designated for ladder climbing, of a Miller full-body harness using a Miller approved auto-locking carabiner or other Miller approved connector.

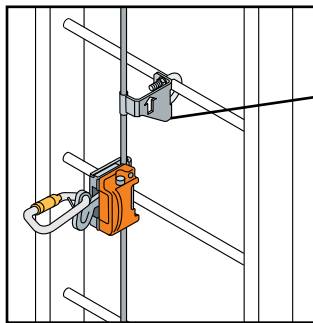
WARNING: The maximum length of the connector from the attachment point on the harness to the cable must not exceed 9" (228mm).

1. Don a full-body harness according to the manufacturer's instructions. Check harness to ensure that all straps are connected, buckles are secure, and harness is adjusted to provide a snug fit. **[NOTE: All instructions and warnings provided with the body wear must be read and understood before using the equipment.]**
2. Attach the cable sleeve to the front attachment point of the harness using a Miller approved carabiner (or connector). Do not use connecting devices, such as a chain assembly, quick link, or lanyard or substitute with non-Miller approved connectors.
3. Verify that the carabiner (or connector) keeper/gate is closed and locked.

Operating the Vi-Go Automatic Cable Sleeve

To ascend or descend, climb the ladder in normal fashion. The cable sleeve will follow automatically.

Bypassing Automatic Pass-Through Cable Guides: As the cable sleeve encounters the Intermediate Automatic Pass-Through Cable Guides, it will smoothly bypass without manual assistance.



◀ **Whether climbing or descending, no manual assistance is required to bypass AUTOMATIC Pass-Through Cable Guides.**

Bypassing Manual Pass-Through Cable Guides: To bypass Intermediate Manual Pass-Through Cable Guides, snap the cable out of the cable guide. Once the cable sleeve has passed the cable guide, reconnect the cable into the cable guide.



▲ **When using the Vi-Go Automatic Cable Sleeve with MANUAL Pass-Through Cable Guides, you must snap the cable out of the cable guide to bypass.**

WARNING: DO NOT REMOVE CABLE SLEEVE FROM CABLE TO PASS INTERMEDIATE CABLE GUIDES.

When climbing is completed, remove the cable sleeve and properly store according to the maintenance instructions in this manual.

3.2 Vi-Go Manual Pass-Through Cable Sleeve

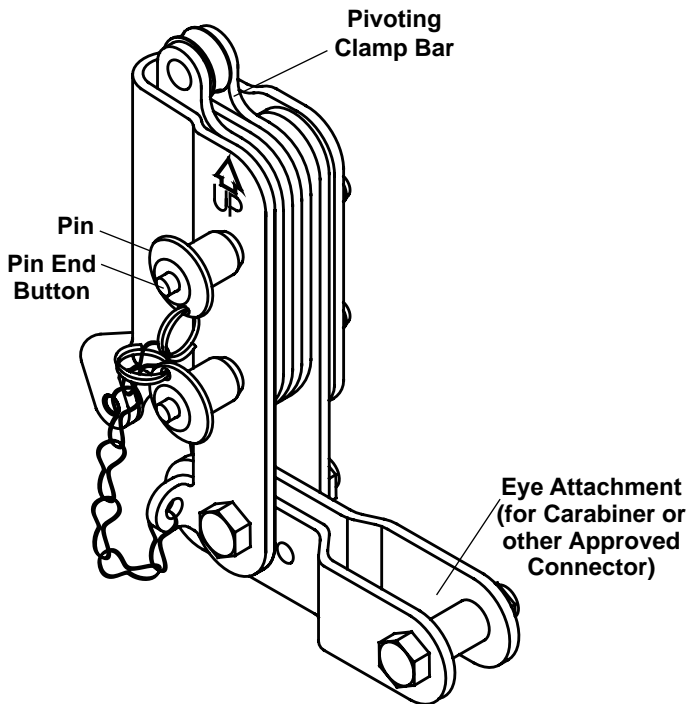


- Easily attaches to the cable and offers hands-free trailing operation between intermediate cable guides.
- Locks instantly in the event of a fall.
- Attaches to 3/8" diameter steel vertical cable lifeline only.

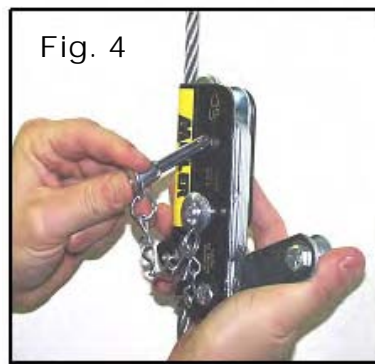
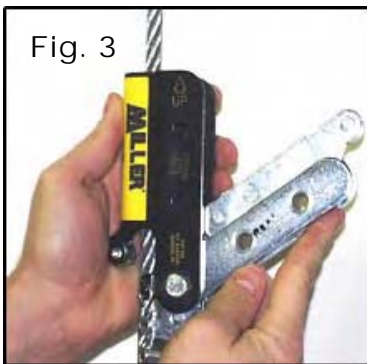
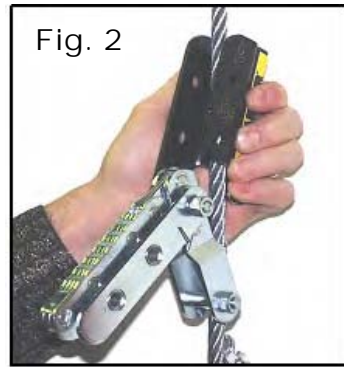
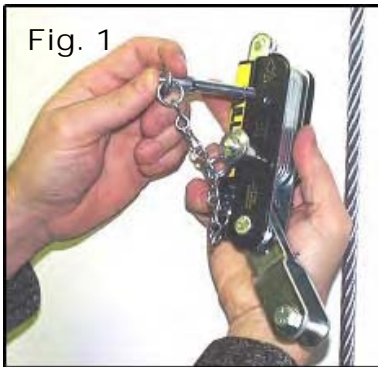
Installing the Vi-Go Manual Cable Sleeve to Vertical Cable Lifeline

WARNING: Never attach the device on the lifeline with the "UP" arrow pointing downward. In this condition the device will NOT lock onto the lifeline should a fall occur.

WARNING: Vi-Go Manual Cable Sleeve is only compatible with 3/8" diameter cable.



1. Open the device by depressing end buttons on pins while pulling pins out (see Fig. 1).
2. Fully open device by pivoting clamp bar assembly away from housing and attach device to cable (see Fig. 2).
3. Close the device by pivoting cams onto the cable, making sure the "UP" arrow is pointing up (see Fig. 3).
4. Reinstall pins through housing, ensuring that the ball detent passes completely through housing assembly (see Fig. 4).
5. After cable sleeve is installed on lifeline, check security pins by trying to remove the pins without depressing the buttons.
6. Test the cable sleeve for functionality of movement by working cams back and forth and by running the device up and down on the lifeline.
7. Test the cable sleeve locking mechanism by pulling down sharply on the eye attachment. Cable sleeve should lock onto cable.



To remove the Vi-Go Manual Cable Sleeve from the cable:

1. Depress end buttons on pins while pulling pins out.
2. Open the device by pivoting clamp bar assembly away from housing and remove from cable.

Connecting the Vi-Go Manual Cable Sleeve to Full-Body Harness

The Vi-Go Manual Cable Sleeve is to be directly connected to the front attachment point, designated for ladder climbing, of a Miller full-body harness using a Miller approved auto-locking carabiner or other Miller approved connector.

WARNING: The maximum length of the connector from the attachment point on the harness to the cable must not exceed 9" (228mm).

1. Don a full-body harness according to the manufacturer's instructions. Check harness to ensure that all straps are connected, buckles are secure, and harness is adjusted to provide a snug fit. **[NOTE: All instructions and warnings provided with the body wear must be read and understood before using the equipment.]**
2. Attach the cable sleeve to the front attachment point of the harness using a Miller approved carabiner (or connector). Do not use connecting devices, such as a chain assembly, quick link, or lanyard or substitute with non-Miller approved connectors.
3. Verify that the carabiner (or connector) keeper/gate is closed and locked.

Operating the Vi-Go Manual Cable Sleeve

To ascend, climb the ladder in normal fashion. The cable sleeve will follow automatically.

As the cable sleeve encounters the Intermediate Manual Pass-Through Cable Guides, snap the cable out of the cable guide. Once the cable sleeve has passed the cable guide, reconnect the cable into the cable guide.

WARNING: DO NOT REMOVE CABLE SLEEVE FROM CABLE TO PASS INTERMEDIATE CABLE GUIDES.

To descend, climb down the ladder in normal fashion with torso centered and close to the device. This will keep the attachment lever up, disengaging the clamping bar and allowing the device to move freely down the cable. Leaning too far back will cause the cable sleeve to lock onto the cable. To unlock the cable sleeve, move upward slightly. This will release the device from the cable and allow the climber to descend the ladder.

When climbing is completed, remove the cable sleeve and properly store according to the maintenance instructions in this manual.



4.0 Training

It is essential that the user of this equipment is familiar with these instructions and is trained in the proper use, installation, operation, inspection, maintenance and limitations of this product. Training should be conducted periodically and without exposing the trainee to a fall hazard. Miller Training provides the knowledge and skills necessary to achieve a safe, more productive work environment. For more information on Miller Training, contact a representative today: 800.873.5242.

5.0 Inspection and Maintenance

Inspection

Vi-Go Cable Sleeves are designed for today's rugged work environments. To maintain their service life and high performance, cable sleeves should be inspected frequently. Visually inspect before each use. Regular inspection by a competent person for wear, damage or corrosion should be a part of your safety program. **Replace equipment if any of the defective conditions explained in this manual are found.**

Cable Sleeve Inspection

Before each use, visually inspect for the following:

- Inspect for physical damages, cracks, wear and corrosion.
- Check bolts for damage, cracks, wear and corrosion.
- Inspect for malfunctioning components, broken or missing springs and fasteners.
- Vi-Go Automatic Cable Sleeve only: Check the lock knob and slider to be sure that they operate freely and properly.
- Vi-Go Manual Cable Sleeve only: Check buttons on pin to be sure that they operate freely and properly.
- Be sure that all parts move freely without hesitation and are functioning correctly.
- Vi-Go Automatic Cable Sleeve only: Inspect shock absorber/fall indicator for signs of impact or loads being imposed.



System Inspection

- Inspect the cable lifeline/system, full-body harness and connector to which the cable sleeve is to be installed per manufacturer's instructions.

Cleaning and Storage

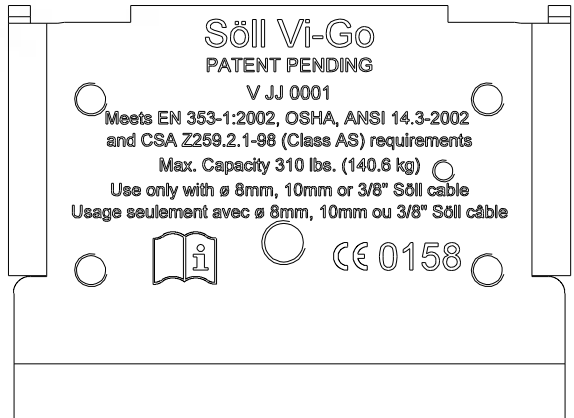
Basic care of all Miller Fall Protection equipment will prolong the life of the unit and will contribute toward the performance of its vital safety function. Proper storage and maintenance after use are as important as cleansing the equipment of dirt, corrosives, or contaminants. Clean device using a cloth dampened with water and mild soap or detergent and towel dry. Storage areas should be clean, dry and free of exposure to fumes or corrosive elements.

Servicing


A record log of all servicing and inspection dates for this system must be maintained. **This device must be withdrawn from service if subjected to fall arresting forces.** Only original Miller Fall Protection replacement parts are approved for use in this system. Contact Miller Technical Services at 800.873.5242 if you have any questions.

Labels/Markings


Vi-Go Automatic Pass-Through Cable Sleeve



Vi-Go Manual Pass-Through Cable Sleeve



HAUT
Capacité Max: 310 lbs. (140.6 kg)
d'acier de vie



MILLER Vi-GoTM
by SPERLIN

Use only with 3/8" (9.5mm)
diameter steel cable lifeline.
Max. Capacity: 310 lbs. (140.6 kg.)

DATE OF MANUFACTURE
DATE DE FABRICATION

YEAR

08	09	10	11	12	13
----	----	----	----	----	----

MONTH

1	2	3	4	5	6
7	8	9	10	11	12



MODEL/MODELE:


TRCS TRCS-C

TRCS-SC

COMPLIANCE:
OSHA 1926.502, 1910.27, ANSI A14.3,
CSA Z259.2.1-98 (Class AS)
Questions? Call: 800-873-5242
Sperlin Fall Protection, Inc.

WARNING
Manufacturer's instructions supplied with this product at the time of shipment must be followed. Failure to do so may result in serious injury or death.

AVERTISSEMENT:
Vous devez respecter les instructions du fabricant que vous avez reçues avec le produit. Dans le cas contraire, nous risquons de blessures graves ou même la mort.



HAUT
Capacité Max: 310 lbs. (140.6 kg)
d'acier de vie



MILLER Vi-GoTM
by SPERLIN

LB1018 REV. A

Inspection and Maintenance Log

Registre D'inspection et D'entretien

Registro de Inspección y Mantenimiento

DATE OF MANUFACTURE: _____
 DATE DE FABRICATION / FECHA DE FABRICACIÓN

MODEL NUMBER: _____
 NUMÉRO DE MODÈLE / NÚM. DE MODELO

DATE PURCHASED: _____
 DATE D'ACHAT / FECHA DE COMPRA

INSPECTION DATE DATE D'INSPECTION FECHA DE INSPECCIÓN	INSPECTION ITEMS NOTED POINTS NOTÉS LORS DE L'INSPECTION PUNTOS DE INSPECCIÓN RELEVANTES	CORRECTIVE ACTION ACTION CORRECTIVE MEDIDA CORRECTIVA	MAINTENANCE PERFORMED ENTRETIEN EFFECTUÉ MANTENIMIENTO REALIZADO
Approved by: Approuvé par: Aprobado por:			
Approved by: Approuvé par: Aprobado por:			
Approved by: Approuvé par: Aprobado por:			
Approved by: Approuvé par: Aprobado por:			
Approved by: Approuvé par: Aprobado por:			
Approved by: Approuvé par: Aprobado por:			
Approved by: Approuvé par: Aprobado por:			
Approved by: Approuvé par: Aprobado por:			
Approved by: Approuvé par: Aprobado por:			
Approved by: Approuvé par: Aprobado por:			
Approved by: Approuvé par: Aprobado por:			



MILLER® FALL PROTECTION PRODUCTS
TOTAL SATISFACTION ASSURANCE

At Miller Fall Protection, we have been providing quality Miller brand fall protection equipment to millions of workers worldwide since 1945.

LIMITED LIFETIME WARRANTY
BACKED BY OVER 60 YEARS IN THE FALL PROTECTION BUSINESS

We sincerely believe that our fall protection equipment is the best in the world. Our products endure rigorous tests to ensure that the fall protection equipment you trust is manufactured to the highest standards. Miller fall protection products are tested to withstand normal wear and tear, but are not indestructible and can be damaged by misuse. Our Limited Lifetime Warranty does not apply to normal wear and tear or abusive treatment of the product.

In the unlikely event that you should discover defects in either workmanship or materials, under our Limited Lifetime Warranty, we will repair or replace the product at our expense. If a replacement is necessary and your product is no longer available, a comparable product will be substituted. Should a product issue surface, contact us at 800.873.5242.

Manufacturing specifications are subject to change without notice.

PRODUITS MILLER® FALL PROTECTION
ASSURANCE DE SATISFACTION TOTALE

Chez Miller Fall Protection, nous fournissons des équipements de protection contre les chutes de marque Miller de qualité à des millions de travailleurs dans le monde entier depuis 1945.

GARANTIE LIMITÉE À VIE
ASSURÉE GRÂCE À PLUS DE 60 ANS PASSÉS DANS LE DOMAINE DE LA PROTECTION CONTRE LES CHUTES

Nous croyons sincèrement que notre équipement de protection contre les chutes est le meilleur au monde. Nos produits sont soumis à des tests rigoureux, afin d'assurer que les équipements de protection contre les chutes dans lesquels vous avez confiance sont fabriqués selon les normes les plus exigeantes. Les produits de protection contre les chutes Miller sont soumis à des essais pour vérifier qu'ils résistent à une usure normale; ils ne sont cependant pas indestructibles et peuvent s'endommager en cas de mauvaise utilisation. Notre garantie limitée à vie ne s'applique pas à l'usure normale ou à un usage abusif du produit.

Dans le cas peu probable où vous découvririez des défauts, soit de fabrication, soit de matériau, dans le cadre de notre garantie à vie, nous réparerons ou remplacerons le produit à nos frais. En cas de remplacement, si votre produit n'est plus offert, vous recevrez un produit comparable. En cas de problème sur un produit, nous contacter au 800-873-5242.

Les caractéristiques de fabrication peuvent être modifiées sans préavis.

PRODUCTOS ANTICAÍDAS MILLER®
GARANTÍA DE SATISFACCIÓN TOTAL

En Miller Fall Protection, venimos suministrando desde 1945 los equipos de protección anticaídas con la calidad Miller a millones de trabajadores en todo el mundo.

GARANTÍA LIMITADA DE POR VIDA
NOS RESPALDAN MÁS DE 60 AÑOS EN LA FABRICACIÓN DE EQUIPO ANTICAÍDAS

Sinceramente creemos que su equipo de protección contra caídas es el mejor del mundo. Nuestros productos resisten rigurosas pruebas para garantizar que el equipo de protección contra caídas en el que usted confía está fabricado de conformidad con las normas más elevadas. Los productos anticaídas Miller son sometidos a pruebas para que resistan el desgaste normal, pero no son indestructibles y su incorrecta utilización puede dañarlos.

Nuestra Garantía limitada de por vida no se aplica al desgaste normal ni al maltrato del producto.

En el poco probable caso de que usted descubriera defectos de mano de obra o materiales, por nuestra Garantía limitada de por vida, repararemos o sustituiremos el producto por cuenta nuestra. Si un reemplazo es necesario y nuestro producto ya no está disponible, se lo sustituiremos por otro comparable.

En caso de que surja un problema con el producto, contáctenos al 800.873.5242.

Las especificaciones de fabricación están sujetas a modificaciones sin previo aviso.

MILLER[®]

by SPERIAN

Toll Free: 800.873.5242

Fax: 800.892.4078

Download this manual at: www.millerfallprotection.com
Téléchargez ce manuel à l'adresse: www.millerfallprotection.com
Puede bajar por Internet este manual en: www.millerfallprotection.com

Sperian Fall Protection, Inc.
P.O. Box 271, 1345 15th Street
Franklin, PA 16323 USA