



MILLER[®]
by SPERIAN

Vi-Go Vertical Cable Lifeline Systems

User Instruction Manual

Manuel D'utilisation / Manual de Instrucciones para El Usuario

Table of Contents

1.0 Purpose.....	3
2.0 General Requirements, Warnings and Limitations.....	3-4
2.1 General Fall Protection Warnings	
2.2 System Warnings and Limitations	
3.0 System Requirements.....	5
4.0 System Diagrams and Description of Components.....	6-8
4.1 Vi-Go AUTOMATIC PASS-THROUGH System	
4.2 Vi-Go MANUAL PASS-THROUGH System	
4.3 System Replacement Parts	
5.0 System Installation.....	8-14
5.1 Installation of Top Bracket Assembly	
5.2 Installation of Cable to Top Bracket Assembly	
5.3 Installation of Intermediate Cable Guides	
5.4 Installation of Bottom Bracket Assembly	
5.5 Installation of Cable and Tensioning Assembly to Bottom Bracket Assembly	
5.6 Options for Terminating Cable in the Field	
5.7 Optional Vi-Go Anchorage Connector	
6.0 System Operation.....	14
7.0 Training.....	14
8.0 Inspection and Maintenance.....	15
Labels.....	15
Inspection and Maintenance Log.....	16
Warranty.....	17

Thank You

Thank you for your purchase of Miller Fall Protection equipment. Miller brand products are produced to meet the highest standards of quality at our ISO 9001:2000 certified facility. Miller Fall Protection equipment will provide you with years of use when cared for properly.

WARNING

All persons using this equipment must read, understand and follow all instructions. Failure to do so may result in serious injury or death. Do not use this equipment unless you are properly trained.

Questions? CALL 1.800.873.5242

It is crucial that the authorized person/user of this fall protection equipment read and understand these instructions. In addition, it is the employer's responsibility to ensure that all users are trained in the proper use, inspection, and maintenance of fall protection equipment. Fall protection training should be an integral part of a comprehensive safety program.

Proper use of fall arrest systems can save lives and reduce the potential of serious injuries from a fall. The user must be aware that forces experienced during the arrest of a fall or prolonged suspension may cause bodily injury. Consult a physician if there is any question about the user's ability to use this product. Pregnant women and minors must not use this product.

1.0 Purpose

Vi-Go Vertical Cable Lifeline Systems are innovative climbing and fall arrest systems that provide superior fall protection for fixed ladder applications.

2.0 General Requirements, Warnings and Limitations

2.1 General Fall Protection Warnings

All warnings and instructions shall be provided to authorized persons/users. Warnings and instructions must be read and understood prior to using this equipment.

All authorized persons/users must reference the regulations governing occupational safety, as well as applicable standards (i.e, ANSI or CSA). Refer to product labeling for information on specific OSHA regulations, and ANSI and CSA standards met by this system.

Proper precautions should always be taken to remove any obstructions, debris, material, or other recognized hazards from the work area that could cause injuries or interfere with the operation of the system.

All equipment must be inspected before each use according to the manufacturer's instructions.

All equipment should be inspected by a qualified person on a regular basis.

To minimize the potential for accidental disengagement, a competent person must ensure system compatibility.

Equipment must not be altered in any way. Repairs must be performed only by the equipment manufacturer, or persons or entities authorized, in writing, by the manufacturer.

Any product exhibiting deformities, unusual wear, or deterioration must be immediately discarded.

Do not use if the unit or any part of the system appears to be damaged.

Any equipment subject to a fall must be removed from service.

The user shall have a rescue plan and the means at hand to implement it when using this equipment.

Never use fall protection equipment for purposes other than those for which it was designed. Fall protection equipment should never be used for towing or hoisting.

Never remove product labels, which include important warnings and information for the authorized person/user.

2.2 System Warnings and Limitations

System Compatibility

Vi-Go Vertical Cable Lifeline Systems are designed for use with Miller approved components. Substitution or replacement with non-approved component combinations, sub-systems, or both, may affect or interfere with the safe function of each other and endanger the compatibility within the system. This incompatibility may affect the reliability and safety of the total system.

Vi-Go Systems must be used in conjunction with a Vi-Go Cable Sleeve with auto-locking carabiner (or other Miller approved connector) and a Miller full-body harness equipped with a front attachment point designated for ladder climbing.

[NOTE: All instructions and warnings provided with the cable sleeve, connector and harness must be read and understood before using the equipment.]

System Capacity

A maximum of four users may simultaneously be connected to a Vi-Go Vertical Cable Lifeline System so long as the load-bearing capacity of the base structure is adequate. For Vi-Go Systems using the 10 ft. (3m) top bracket assembly, the number of users is limited to two.

The distance between users must not be less than 5-1/4 ft. (1.6m) to ensure that, in the event of a fall, the person falling will not strike a user below. *(Note: According to ANSI A14.3, only one worker may be on the system between cable guides.)*

Fall Clearance

Ensure that adequate clearance exists in the fall path to avoid striking a lower level, some other object, or another user.

Environmental Hazards

Use of this equipment in areas where environmental hazards exist may require additional precautions to limit the possibility of injury to the user or damage to the equipment. Hazards may include, but are not limited to, extreme temperatures, caustic chemicals, corrosive environments, high voltage power lines, explosive or toxic gases, moving machinery, and sharp edges. Do not expose the equipment to any hazard which it is not designed to withstand. Consult the manufacturer in cases of doubt.

- Ensure that the system is free of grease, oil and ice.
- Cable lifeline must be kept clean.
- Use of this system is not suitable when the user is positioned on an unstable surface, fine-grain material, or particulate.

3.0 System Requirements

Before installation of a Vi-Go System, the structure or ladder on which the system is to be affixed must be certified to be capable of withstanding the potential loads that may be applied in the event of a fall arrest and must meet the specified ladder requirements.

Ladder Requirements

A ladder must be a fixed ladder with rungs having outer diameters between 3/4 inch and 1-1/8 inches. According to ANSI A14.3, the minimum width of the ladder should be 18 inches from inside rail to inside rail.

A system may be attached to square, diamond or L-shaped (angle iron) rungs so long as the rungs meet the minimum 3/4 inch and maximum 1-1/8 inches outer diameter requirements. A spacer may be required for angle iron installations. Please contact Miller Technical Services at 800-873-5242 for additional information and installation assistance.

Top Bracket

Connection loads include system pretension and forces generated by arresting a fall. The load requirements vary due to number of users on the system and installation to the structure (i.e., number of rung clamp assemblies used).

For calculation purposes in determining the load each ladder rung must be able to withstand, assume the maximum load on each bracket is distributed evenly throughout the number of top bracket rung clamp assemblies. [Example: Based on a single-user system with the top bracket installed with three rung connections, the assumed load for each rung would be 1,100 lbs. (3,300/3).] An additional top bracket rung clamp assembly can be purchased separately and used to spread the load requirements over four (4) rungs rather than three (3). [Example: For a system with two (2) users the loads transmitted to each rung is reduced from 1,267 lbs. (3,800/3) to 950 lbs. (3,800/4).]

Number of Simultaneous Users	Maximum Load (lbs.)*
<i>For Vi-Go AUTOMATIC and MANUAL Systems:</i>	
1	3,300 lbs.
2	3,800 lbs.
3	4,300 lbs.
4	4,800 lbs.

****The maximum load calculations provide a 2:1 safety factor.***

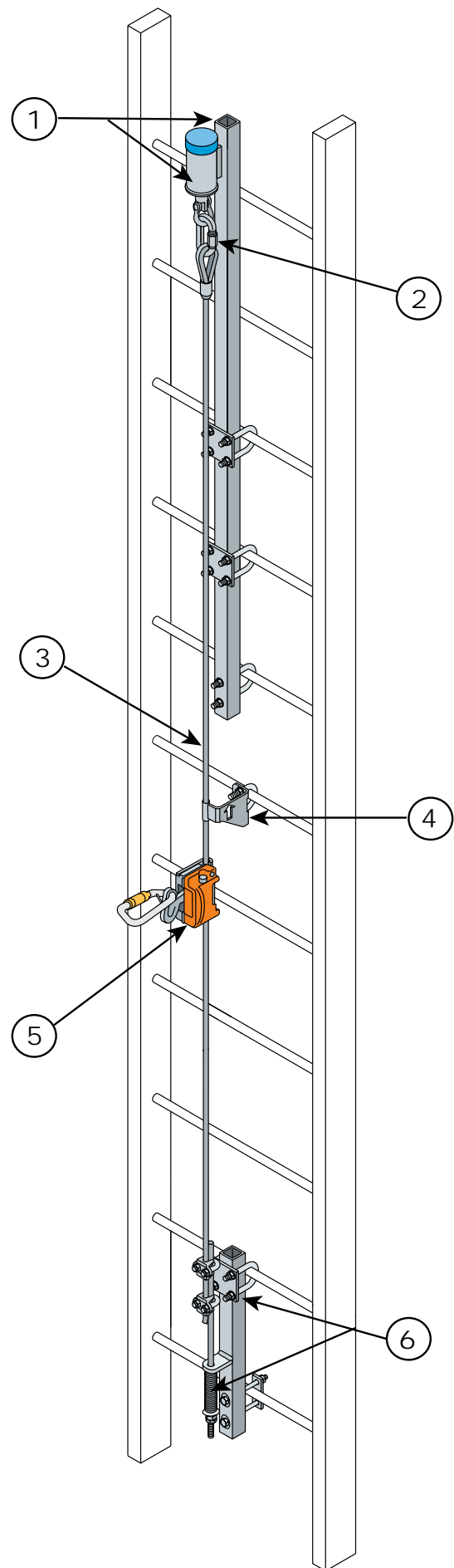
Bottom Bracket

The bottom bracket connection must be capable of supporting a system load of 750 lbs. in the direction of loading.

4.0 System Diagrams and Description of Components

4.1 Vi-Go AUTOMATIC PASS-THROUGH System

- 1) Top Bracket Assembly with Inline Shock Absorber
 - Inline shock absorber reduces the forces imposed on the system and structure in the event of a fall.
 - May be installed to extend above the ladder to allow workers to step safely onto the platform without disconnecting from the lifeline for maximum protection.
 - Also available with a 7 ft. (2m) or 10 ft. (3m) top bracket.
- 2) Quick Link
 - Provides a quick and easy connection of the lifeline to the inline shock absorber.
- 3) Cable Lifeline
 - 3/8" galvanized steel cable lifeline.
- 4) Automatic Pass-Through Cable Guide
 - Holds the cable in position, preventing it from moving excessively in windy conditions and from coming in contact with the ladder or structure.
 - Accommodates curved structures.
 - Automatic pass-through feature allows the Vi-Go Automatic Pass-Through Cable Sleeve to bypass guide without manual assistance, offering the user greater comfort through hands-free trailing, quicker climbing and descending, and the highest level of safety.
- 5) Vi-Go Automatic Pass-Through Cable Sleeve
 - **Cable sleeve purchased separately. Available with integral swivel and auto-locking carabiner, with the carabiner only, or without a connector.**
 - Stainless steel construction offers corrosion-resistance.
 - Quick and easy to install with absolute single-hand operation.
 - Integrated mechanism prevents upside-down installation of the cable sleeve to the cable.
 - Hands-free trailing while climbing and descending.
 - Spring-activated mechanisms always move device back to initial position.
 - Dual locking mechanism prevents accidental unlocking of the cable sleeve from the cable.
 - Locks instantly in the event of a fall.
 - Built-in shock absorber/fall indicator further reduces fall arrest forces and provides for ease of inspection.
- 6) Bottom Bracket Assembly with Lifeline Tensioner
 - Dual function lifeline tensioner indicates when the lifeline is properly adjusted and prevents ladder rung deformation.



4.2 Vi-Go MANUAL PASS-THROUGH System

- 1) Top Bracket Assembly with Inline Shock Absorber
 - Inline shock absorber reduces the forces imposed on the system and structure in the event of a fall.
 - May be installed to extend above the ladder to allow workers to step safely onto the platform without disconnecting from the lifeline for maximum protection.
 - Also available with a 7 ft. (2m) or 10 ft. (3m) top bracket.

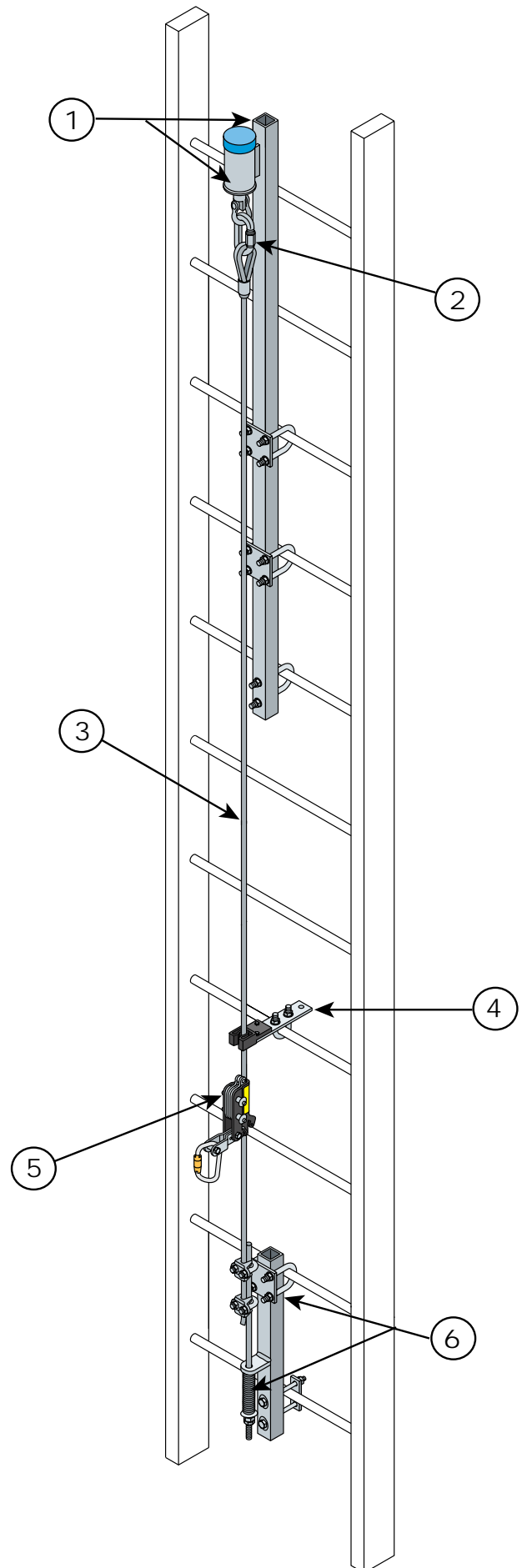
- 2) Quick Link
 - Provides a quick and easy connection of the lifeline to the inline shock absorber.

- 3) Cable Lifeline
 - 3/8" galvanized steel cable lifeline.

- 4) Manual Pass-Through Cable Guide
 - Holds the cable in position, securing it away from the ladder or structure.
 - Fully convertible to accommodate low and high wind conditions.
 - Manual pass-through feature requires cable to be released from the clamping position before the cable sleeve can pass by it.

- 5) Vi-Go Manual Pass-Through Cable Sleeve
 - **Cable sleeve purchased separately. Available with integral swivel and auto-locking carabiner, with the carabiner only, or without a connector.**
 - Easily attaches to the cable and offers hands-free trailing operation between intermediate cable guides.
 - Locks instantly in the event of a fall.

- 6) Bottom Bracket Assembly with Lifeline Tensioner
 - Dual function lifeline tensioner indicates when the lifeline is properly adjusted and prevents ladder rung deformation.



4.3 System Replacement Parts

Part No.	Component	Description
TRTB	Top Bracket Assembly	5 ft. (1.5m) galvanized steel bracket (1-1/2" x 1-1/2" tube) includes inline shock absorber with shackle, two rung clamp assemblies (each w/4-hole mounting plate for 1-1/2" tube, two 3/8"-16 x 1-5/8" x 3-1/2" U-bolts, four 3/8" lockwashers, and four 3/8"-16 hex nut fasteners), and bottom rung clamp assembly (w/3/8"-16 x 1-5/8" x 3-1/2" U-bolt, two 3/8" lockwashers, two 3/8"-16 hex nut fasteners and two fastener caps).
TRTB-7	7 ft. (2m) Top Bracket Assembly	7 ft. (2m) galvanized steel bracket (2" x 2" tube) includes inline shock absorber with shackle, two rung clamp assemblies (each w/4-hole mounting plate for 2" tube, two 3/8"-16 x 1-5/8" x 3-1/2" U-bolts, four 3/8" lockwashers, and four 3/8"-16 hex nut fasteners), and bottom rung clamp assembly (w/two 3/8"-16 x 4" bolts, two 3/8" flat washers, 2-hole mounting plate, two 3/8" lockwashers, and two 3/8"-16 hex nut fasteners).
TRTB-10	10 ft. (3m) Top Bracket Assembly	10 ft. (3m) galvanized steel bracket (2" x 2" tube) includes inline shock absorber with shackle, two rung clamp assemblies (each w/4-hole mounting plate for 2" tube, two 3/8"-16 x 1-5/8" x 3-1/2" U-bolts, four 3/8" lockwashers, and four 3/8"-16 hex nut fasteners), and bottom rung clamp assembly (w/two 3/8"-16 x 4" bolts, two 3/8" flat washers, 2-hole mounting plate, two 3/8" lockwashers, and two 3/8"-16 hex nut fasteners).
TRRCA	Extra Rung Clamp Assembly (for 5 ft. top bracket)	Includes 4-hole mounting plate for 1-1/2" tube, two 3/8"-16 x 1-5/8" x 3-1/2" U-bolts, four 3/8" lockwashers, and four 3/8"-16 hex nut fasteners
TRRCA-10	Extra Rung Clamp Assembly (for 7ft. & 10 ft. top brackets)	Includes 4-hole mounting plate for 2" tube, two 3/8"-16 x 1-5/8" x 3-1/2" U-bolts, four 3/8" lockwashers, and four 3/8"-16 hex nut fasteners
TRLL	Cable Lifeline	3/8" diameter galvanized steel cable with thimble. Various lengths available.
TRQL	Quick Link	Galvanized steel quick-link used for connecting cable to shackle on inline shock absorber.
VGCG	Automatic Pass-Through Cable Guide	Galvanized steel cable guide bracket includes M10-1.5mm x 1-1/2" x 2-9/16" U-bolt, two M10 flat washers and two M10-1.5mm locknuts.
TRCG	Manual Pass-Through Cable Guide	Galvanized steel cable bracket with convertible polyurethane cable retainer head includes 3/8"-16 x 1-1/4" x 2" U-Bolt, two 3/8" lockwashers, two 3/8"-16 hex nuts, two 1/4"-20 x 1-1/4" bolts, four 1/4" flat washers, and two 1/4"-20 locknuts.
TRBB	Bottom Bracket Assembly	Galvanized steel bracket (1-1/2" x 1-1/2" tube) includes rung clamp assembly (w/4-hole mounting plate for 1-1/2" tube, two 3/8"-16 x 1-5/8" x 3-1/2" U-bolts, four 3/8" lockwashers, and four 3/8"-16 hex nut fasteners), bottom rung clamp assembly (w/two 3/8"-16 x 3" bolts, two 3/8" flat washers, 2-hole mounting plate, two 3/8" lockwashers, and two 3/8"-16 hex nut fasteners), and tensioning rod assembly (w/compression spring, two saddle clips, 7/16" washer, and six 7/16"-14 hex nut fasteners).
Model No.	Cable Sleeve	
VGCS	Vi-Go Automatic Pass-Through Cable Sleeve [Also available with carabiner (VGCS-C) or with integral swivel and carabiner (VGCS-SC)]	
TRCS	Vi-Go Manual Pass-Through Cable Sleeve [Also available with carabiner (TRCS-C) or with integral swivel and carabiner (TRCS-SC)]	

5.0 System Installation

- Before installation, carefully inspect all components of the system according to the manufacturer's instructions (see 8.0 Inspection and Maintenance). Do not use if there are any damaged or missing parts (see 4.3 System Replacement Parts).
- Ensure that the structure/ladder on which the Vi-Go System is to be affixed is capable of withstanding loads resulting from a fall (see 3.0 System Requirements).
- For ease of installation, the Vi-Go Installation Kit (TRIK) may be purchased separately. Contact your Miller distributor.

WARNING: Personal fall protection is required during installation. Persons installing the system must use caution and shall not be exposed to a fall hazard during the installation procedure. Do not connect to any component of a partially installed system.



System Installation Overview: The recommended installation procedure of the Vi-Go Vertical Cable Lifeline System is to install from the top of the ladder down.

Tools Required for Installation: Torque wrench, standard sockets--7/8" and 3/4", deep socket--9/16", standard wrenches--7/16", 11/16" and 3/4", crowfoot wrench--17mm (for part VGCG only), cable cutters--minimum 3/8" capacity needed (5/8" capacity preferred), and a tape measure.

5.1 Installation of Top Bracket Assembly

The top bracket assembly may be installed to extend above the ladder to allow workers to step safely onto the platform without disconnecting from the lifeline. It is recommended to be mounted at the center of the ladder for ease of use and access, but can be installed toward the side of the ladder if required.

For typical installation of the 5 ft. (1.5m) top bracket assembly, refer to Figure 1a. This installation configuration will accommodate up to four (4) users simultaneously. The 7 ft. (2m) and 10 ft. (3m) top bracket assemblies are installed as shown in Figure 1b. **[Note: All systems using the 10 ft. (3m) top bracket assembly are limited to two (2) users.]**

An extra rung clamp assembly may be used in the installation of the top bracket to lower the loads transmitted to each ladder rung (see Fig. 1c).

For systems limited to one (1) user, the 5 ft. (1.5m) top bracket may be installed with two rung clamp assemblies (see Fig. 1d). Ensure the ladder will withstand the loads between the two rungs.

1. Place the top bracket against the rungs of the ladder at the desired height (see either Fig. 1a or 1b). Install bottom rung clamp assembly first.

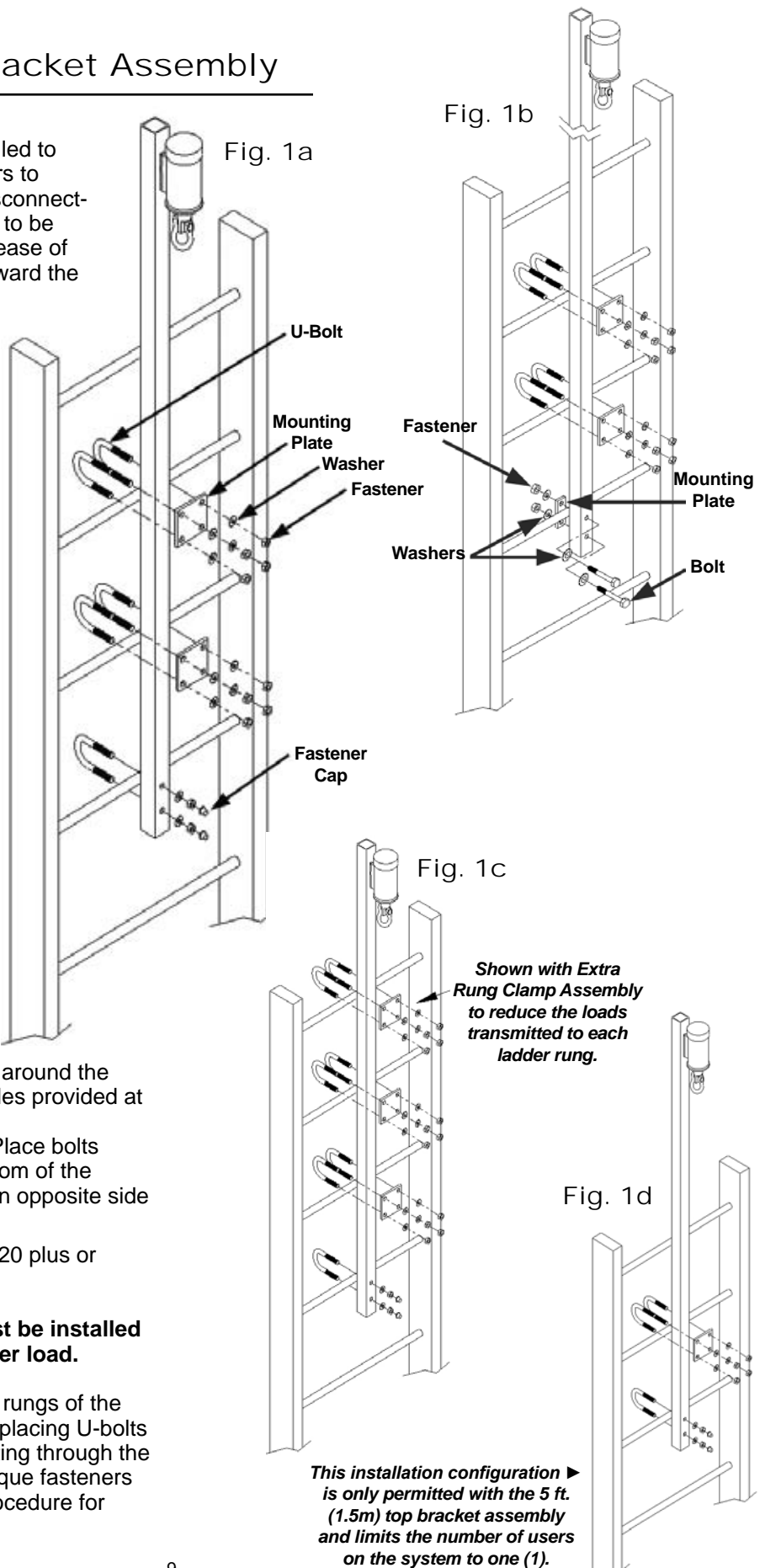
For 5 ft. (1.5m) bracket: Place U-bolt around the rung of the ladder and through the holes provided at the bottom of the bracket.

For 7 ft. (2m) or 10 ft. (3m) bracket: Place bolts through the holes provided at the bottom of the bracket and through mounting plate on opposite side of ladder rung as shown.

Install washers and torque fasteners to 20 plus or minus 2 ft. lbs.

WARNING: The bottom U-clamp must be installed correctly or the bracket may slip under load.

2. Continue to hold bracket against the rungs of the ladder. Install rung clamp assembly by placing U-bolts around the rung of the ladder and inserting through the mounting plate. Install washers and torque fasteners to 20 plus or minus 2 ft. lbs. Repeat procedure for remaining rung clamp assemblies.



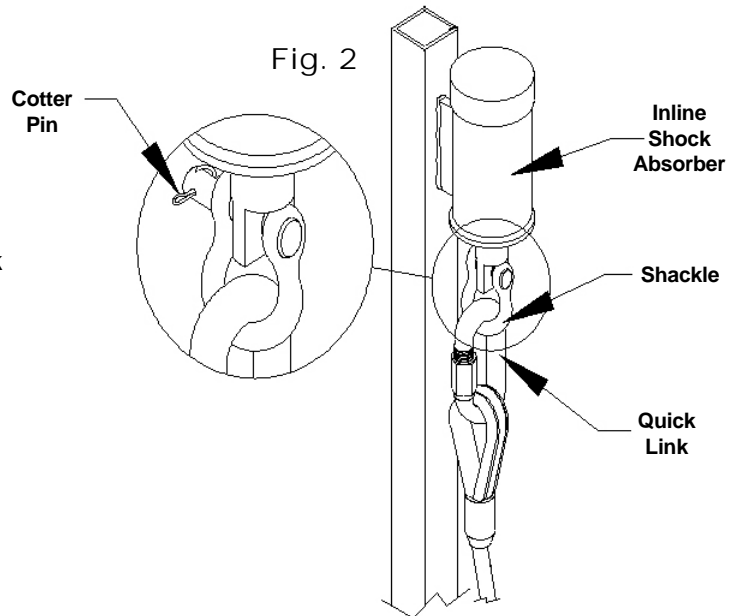
5.2 Installation of Cable to Top Bracket Assembly

Use only Miller approved cable. Inspect cable before installation. Do not install damaged cable. Safety glasses and gloves should be worn when handling cable.

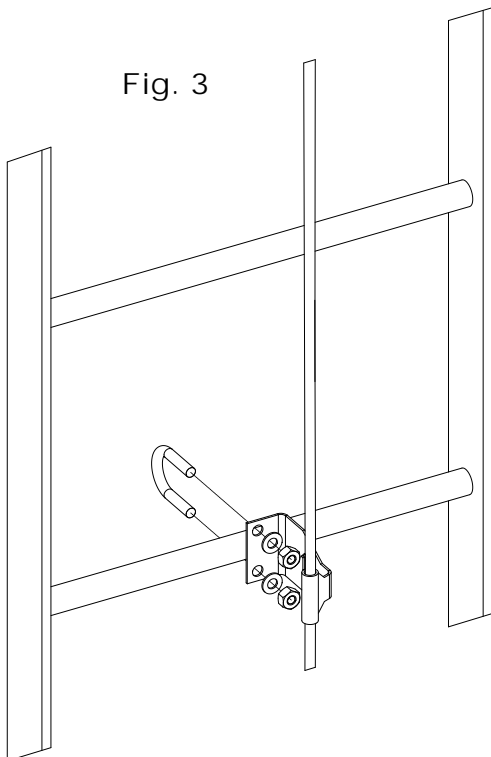
When cutting the cable on site during the installation procedure is preferred or necessary, refer to 5.6 Options for Terminating Cable in the Field. **WARNING: All instructions and warnings provided with the cable termination fittings must be read and understood before using the equipment.**

1. Install quick link to cable thimble (see Fig. 2).
2. Then connect quick link with cable to the shackle on the underside of the inline shock absorber. Tighten quick link until snug. Do not use if quick link does not close and tighten.

NOTE: Ensure the cotter pin is through the shackle bolt and bent over so that it will not back out. DO NOT USE SYSTEM IF COTTER PIN IS MISSING.



5.3 Installation of Intermediate Cable Guides



Intermediate Cable Guides are designed to keep the climber from excessively deflecting the cable and to protect the cable from chafing against the ladder or structure. Cable guides should be placed at 25 ft. (7.6m) minimum to 40 ft. (12.2m) maximum intervals along the cable from the top bracket to the bottom bracket. Cable guides may be placed at any point along the cable that may come in contact with the ladder or structure. For installations in situations of vibration or high wind, consideration should be given to placing the intermediates closer together.

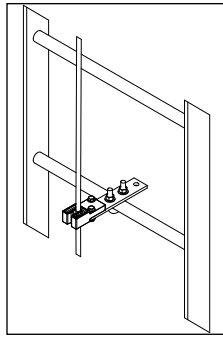
AUTOMATIC Pass-Through Cable Guides

1. Place intermediate cable guide against ladder rung (see Fig. 3).
2. Install U-bolt around ladder rung and through holes provided in guide as shown.
3. Install washers and torque fasteners to 20 plus or minus 2 ft. lbs.

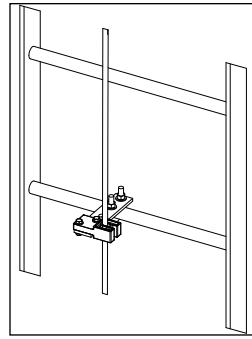
MANUAL Pass-Through Cable Guides

Typical Installation

1. Place cable guide on top of ladder rung (see Fig. 4a).
2. Install U-bolt around underside of ladder rung and through holes provided in cable guide.
3. Install washers and torque fasteners to 20 plus or minus 2 ft. lbs.



Typical Installation



90 Degree Installation

90 Degree Installation

Note: High wind areas permit rotating the end of this cable guide 90 degrees in either direction. When installation requires this option, cable guides should be alternated from left to right throughout the length of the system.

1. Remove fasteners from cable guide end.
2. Rotate end 90 degrees and reinsert fasteners (see Fig. 4b).
3. Torque fasteners to 20 plus or minus 2 ft. lbs.
4. To install cable guide with 90 degree end, follow above procedure except insert U-bolt through the two holes furthest from the cable end on the guide bracket.

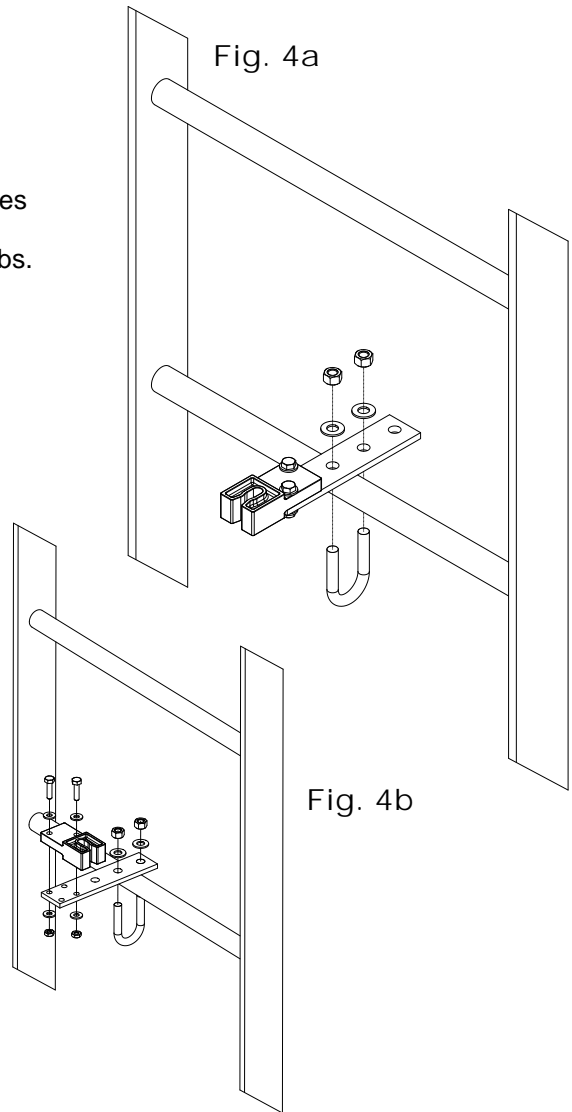


Fig. 4a

Fig. 4b

5.4 Installation of Bottom Bracket Assembly

WARNING: Inspect the bottom bracket assembly. Do not use if there are any damaged or missing components. Missing, damaged or omitted components can result in the bracket slipping under a load.

1. Place bottom bracket against the rungs of the ladder at the desired location aligning the bracket so that the ladder rung is centered between the two vertically placed holes in the bottom of the bracket. (see Fig. 5).
2. Install bolts through holes in bottom of bracket and through plate on opposite side, including washers, as shown. Torque fasteners to 20 plus or minus 2 ft. lbs.
3. Install U-bolts around ladder rung at top of bracket and through mounting plate. Install washers and torque fasteners to 20 plus or minus 2 ft. lbs.

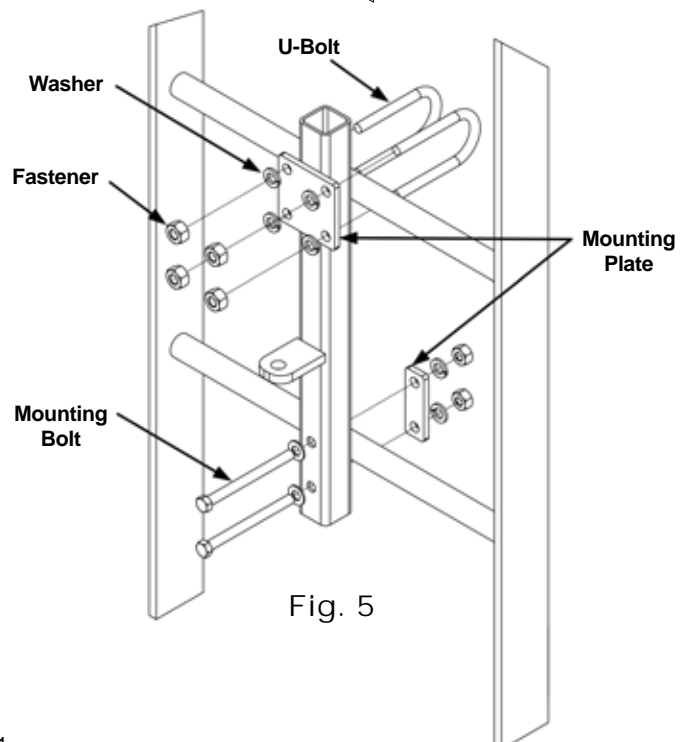
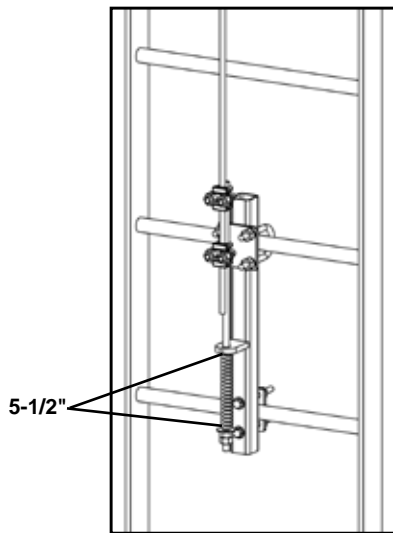


Fig. 5

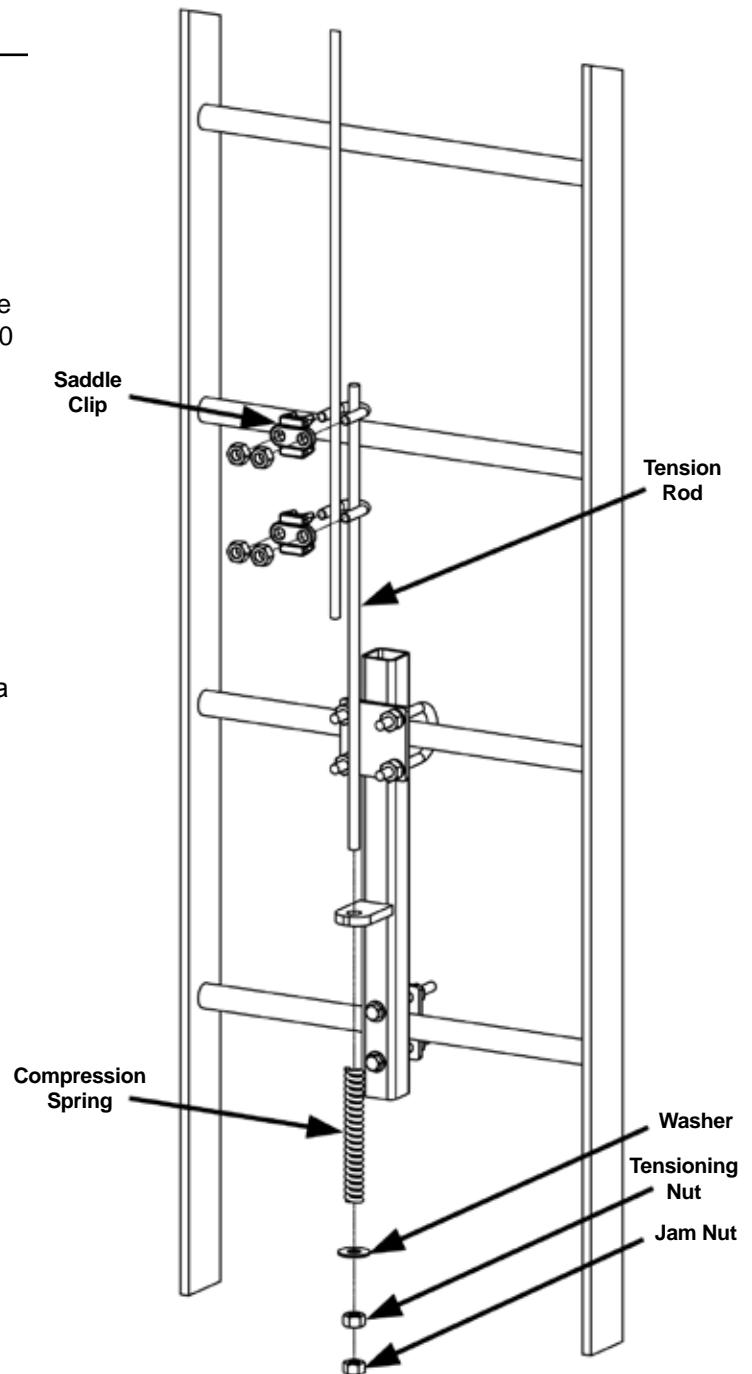
5.5 Installation of Cable and Tensioning Assembly to Bottom Bracket Assembly

Fig. 6

1. Install saddle clips loosely around cable attached to tension rod (see Fig. 6).
2. Slide the tension rod down the cable and through the hole in the bottom bracket until a sufficient amount of threads are through to install the compression spring, washer and tensioning nut.
3. Remove excess cable by pulling cable through the saddle clips. Tighten and torque saddle clips to 40 to 45 ft. lbs.
4. Tighten tensioning nut until cable is taut. Compress spring until the distance of 5-1/2" is achieved. Do not completely compress spring. If an insufficient amount of threads are exposed, repeat procedure from Step 3.
5. When proper tensioning of cable is achieved, install jam nut against tensioning nut.
6. Discard excess cable by cutting below the lower saddle clip, leaving approximately 3" of cable below the lower saddle clip (3" is recommended; a minimum of 1" is required).



▲ **Complete Bottom Bracket Assembly with Tensioning Assembly and Cable Installed**



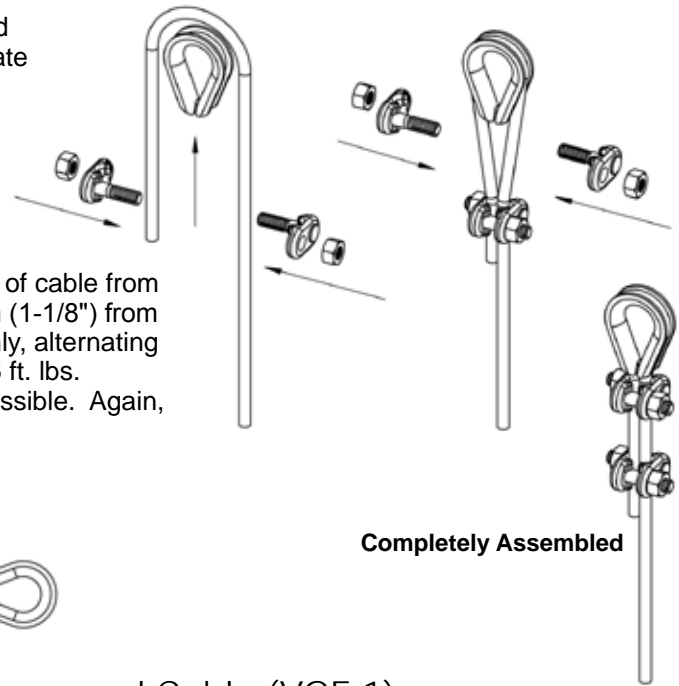
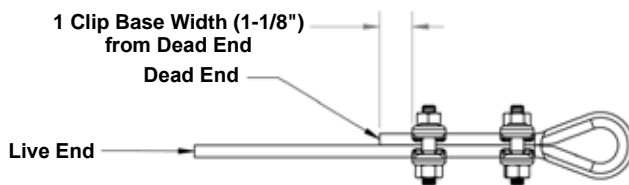
IMPORTANT: After installation is complete, a final inspection of the system, ladder and structure is required. Using a hand punch, designate the appropriate system capacity rating, installation date and service/inspection dates using the spaces provided on the label. Attach the label to the ladder or structure with the nylon tie provided. Attach the label to the system where it is easily accessible to anyone using the system. Record system identification information in the inspection and maintenance section of this manual.

5.6 Options for Terminating Cable in the Field

Options are available for terminating the cable in the field for increased versatility during installation to accommodate variable cable lengths. **These options are compatible with 3/8" diameter approved cable only.**

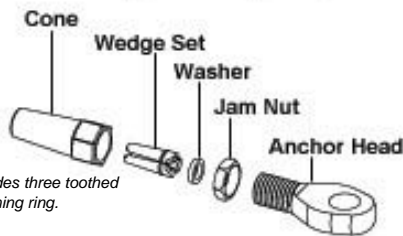
Thimble and Wire Rope Cable Termination Kit (VGTWC)

1. Feed cable around cable thimble, turning back 5-1/4" of cable from thimble end. Install first cable clip one clip base width (1-1/8") from dead end of rope. Use torque wrench to tighten evenly, alternating from one nut to the other until reaching a torque of 45 ft. lbs.
2. Install second cable clip as close to the thimble as possible. Again, use torque wrench to tighten evenly to 45 ft. lbs.

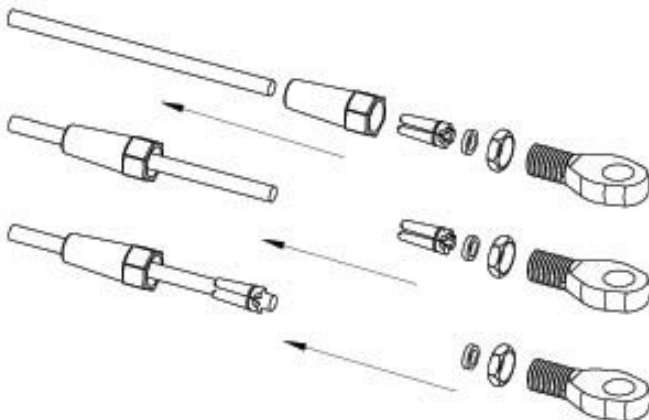


Fast-Attach Fitting for 3/8" Diameter Approved Cable (VGF-1)

Disassemble the fitting and verify components.



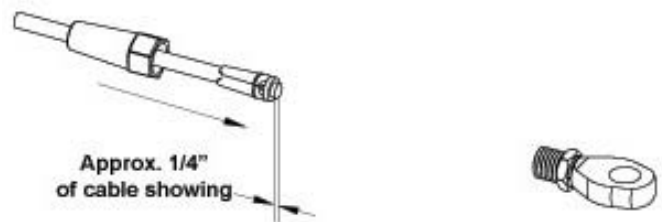
1. Slide the cone, wedge set and washer onto the cable end as shown below.



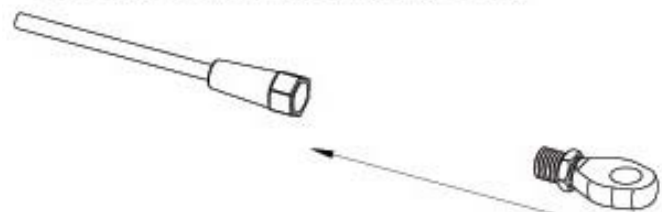
2. Screw the jam nut onto the anchor head.



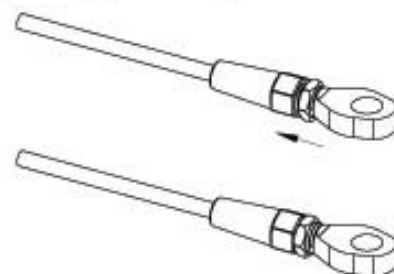
3. Slide the cone over the wedge set and washer.



4. Screw the anchor head into the cone.

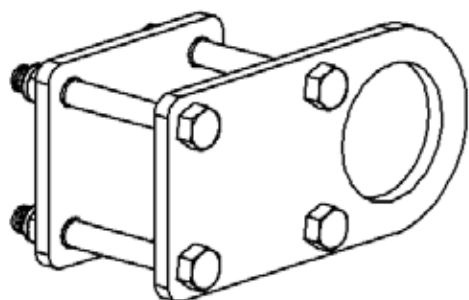


5. Tighten the jam nut down onto the cone. Torque to approximately 20 ft. lbs.



Completely Assembled Fitting

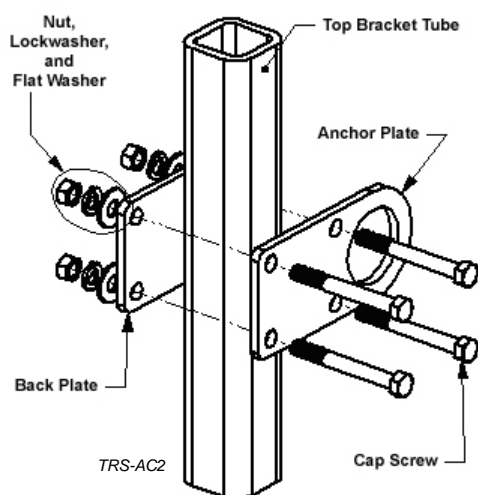
5.7 Optional Vi-Go Anchorage Connector



Vi-Go Anchorage Connector

The Vi-Go Anchorage Connector is designed to provide a convenient tie-off point for workers when entering/exiting at the top of Vi-Go Vertical Cable Lifeline Systems. The Vi-Go Anchorage Connector is designed for one person only with a capacity of 310 lbs. (140.6kg).

Model	Compatible Top Bracket Assembly
TRS-AC1	Compatible with the 5ft. (1.5m) top bracket assembly (with 1.5" x 1.5" tube)
TRS-AC2	Compatible with the 7 ft. (2m) and 10 ft. (3m) top bracket assemblies (with 2" x 2" tube)



WARNING: All instructions and warnings provided with the anchorage connector must be read and understood before using the equipment.

6.0 System Operation

1. Don a Miller full-body harness according to the manufacturer's instructions.
2. Install the Vi-Go Cable Sleeve to the vertical cable lifeline according to the manufacturer's instructions.
3. Attach the cable sleeve to the front attachment point, designated for ladder climbing, of the full-body harness using a Miller approved auto-locking carabiner or other Miller approved connector.
4. Verify that the carabiner (or connector) keeper/gate is closed and locked.
5. Ascend and descend the ladder passing intermediate cable guides per the manufacturer's instructions supplied with the cable sleeve.

7.0 Training

It is the responsibility of the user and the purchaser of this equipment to assure they are familiar with these instructions and are trained in the proper use, installation, operation, inspection, maintenance and limitations of this product. Training should be conducted periodically and without exposing the trainee to a fall hazard.

Training is an integral part of our Total Solution in fall protection, since no fall protection equipment – regardless of how effective – can save an employee who is not trained in its use. To meet this crucial requirement, Miller Training provides the knowledge and skills necessary to achieve a safe, more productive work environment. For more information on Miller Training, contact a representative today: 800.873.5242.

8.0 Inspection and Maintenance

Inspection

The Vi-Go System is designed for today's rugged work environments. To maintain its service life and high performance, all components should be inspected frequently. Visually inspect before each use. Regular inspection by a competent person for wear, damage or corrosion should be a part of your safety program. **Replace equipment if any of the defective conditions explained in this manual are found.**

System Inspection

Before each use, visually inspect for the following:

- Inspect all components for physical damages, cracks, wear and corrosion.
- Check fasteners, bolts and pins for damages, cracks, wear and corrosion.
- Inspect the cable lifeline for cuts, frays, kinks, broken strands or other signs of unusual wearing patterns. **[CAUTION: Always wear gloves when inspecting wire rope!]**
- Check cable tension ensuring there is no slack. Retension cable to specifications as per section 5.5 of this manual.
- Inspect for malfunctioning components, broken or missing springs and fasteners. [For replacement parts call: 800.873.5242]
- Inspect cable sleeve, connector and full-body harness according to the manufacturer's instructions.



Cleaning and Storage

Basic care of all Miller Fall Protection equipment will prolong the life of the unit and will contribute toward the performance of its vital safety function. Proper storage and maintenance after use are as important as cleansing the equipment of dirt, corrosives, or contaminants. Clean system components using a cloth dampened with water and mild soap or detergent and towel dry. Storage areas should be clean, dry and free of exposure to fumes or corrosive elements.

Servicing

Servicing must only be carried out by a qualified person trained in the inspection and replacement of the system. A record log of all servicing and inspection dates for this system must be maintained. **This system and all its components and devices must be withdrawn from service if subjected to fall arresting forces.** Only original Miller Fall Protection replacement parts are approved for use in this system. Contact Miller Technical Services at 800.873.5242 if you have any questions.

Labels

<p>Sperian Fall Protection, Inc. Franklin, PA. U.S.A. Call: 800-873-5242</p>	 by SPERIAN Vi-Go Climbing System WARNING Manufacturer's instructions supplied with this product at the time of shipment must be followed. Failure to do so may result in serious injury or death.	<table border="1" style="width: 100%; border-collapse: collapse;"> <thead> <tr> <th colspan="13">PUNCH DATE OF INSTALLATION/INSPECTION</th> </tr> <tr> <th>YR</th> <th>J</th> <th>F</th> <th>M</th> <th>A</th> <th>M</th> <th>J</th> <th>J</th> <th>A</th> <th>S</th> <th>O</th> <th>N</th> <th>D</th> </tr> </thead> <tbody> <tr><td>1</td><td></td><td></td><td></td><td></td><td></td><td></td><td></td><td></td><td></td><td></td><td></td><td></td></tr> <tr><td>2</td><td></td><td></td><td></td><td></td><td></td><td></td><td></td><td></td><td></td><td></td><td></td><td></td></tr> <tr><td>3</td><td></td><td></td><td></td><td></td><td></td><td></td><td></td><td></td><td></td><td></td><td></td><td></td></tr> <tr><td>4</td><td></td><td></td><td></td><td></td><td></td><td></td><td></td><td></td><td></td><td></td><td></td><td></td></tr> <tr><td>5</td><td></td><td></td><td></td><td></td><td></td><td></td><td></td><td></td><td></td><td></td><td></td><td></td></tr> <tr><td>6</td><td></td><td></td><td></td><td></td><td></td><td></td><td></td><td></td><td></td><td></td><td></td><td></td></tr> </tbody> </table>	PUNCH DATE OF INSTALLATION/INSPECTION													YR	J	F	M	A	M	J	J	A	S	O	N	D	1													2													3													4													5													6												
PUNCH DATE OF INSTALLATION/INSPECTION																																																																																																										
YR	J	F	M	A	M	J	J	A	S	O	N	D																																																																																														
1																																																																																																										
2																																																																																																										
3																																																																																																										
4																																																																																																										
5																																																																																																										
6																																																																																																										
 <p>OSHA 1926.502, 1910.27, ANSI A14.3, CSA Z259.2.1-98 (Class AS)</p>	<table border="1" style="margin: auto; border-collapse: collapse;"> <thead> <tr> <th colspan="4">SYSTEM CAPACITY RATING</th> </tr> </thead> <tbody> <tr> <td>NUMBER OF USERS ATTACHED TO SYSTEM MUST NOT EXCEED</td> <td>1</td> <td>3</td> <td></td> </tr> <tr> <td></td> <td>2</td> <td>4</td> <td></td> </tr> </tbody> </table>	SYSTEM CAPACITY RATING				NUMBER OF USERS ATTACHED TO SYSTEM MUST NOT EXCEED	1	3			2	4		LB1019 REV. A																																																																																												
SYSTEM CAPACITY RATING																																																																																																										
NUMBER OF USERS ATTACHED TO SYSTEM MUST NOT EXCEED	1	3																																																																																																								
	2	4																																																																																																								

Inspection and Maintenance Log

Registre D'inspection et D'entretien

Registro de Inspección y Mantenimiento

DATE OF MANUFACTURE: _____
 DATE DE FABRICATION / FECHA DE FABRICACIÓN

MODEL NUMBER: _____
 NUMÉRO DE MODÈLE / NÚM. DE MODELO

DATE PURCHASED: _____
 DATE D'ACHAT / FECHA DE COMPRA

INSPECTION DATE DATE D'INSPECTION FECHA DE INSPECCIÓN	INSPECTION ITEMS NOTED POINTS NOTÉS LORS DE L'INSPECTION PUNTOS DE INSPECCIÓN RELEVANTES	CORRECTIVE ACTION ACTION CORRECTIVE MEDIDA CORRECTIVA	MAINTENANCE PERFORMED ENTRETIEN EFFECTUÉ MANTENIMIENTO REALIZADO
Approved by: Approuvé par: Aprobado por:			
Approved by: Approuvé par: Aprobado por:			
Approved by: Approuvé par: Aprobado por:			
Approved by: Approuvé par: Aprobado por:			
Approved by: Approuvé par: Aprobado por:			
Approved by: Approuvé par: Aprobado por:			
Approved by: Approuvé par: Aprobado por:			
Approved by: Approuvé par: Aprobado por:			
Approved by: Approuvé par: Aprobado por:			



MILLER® FALL PROTECTION PRODUCTS
TOTAL SATISFACTION ASSURANCE

At Miller Fall Protection, we have been providing quality Miller brand fall protection equipment to millions of workers worldwide since 1945.

LIMITED LIFETIME WARRANTY
BACKED BY OVER 60 YEARS IN THE FALL PROTECTION BUSINESS

We sincerely believe that our fall protection equipment is the best in the world. Our products endure rigorous tests to ensure that the fall protection equipment you trust is manufactured to the highest standards. Miller fall protection products are tested to withstand normal wear and tear, but are not indestructible and can be damaged by misuse. Our Limited Lifetime Warranty does not apply to normal wear and tear or abusive treatment of the product.

In the unlikely event that you should discover defects in either workmanship or materials, under our Limited Lifetime Warranty, we will repair or replace the product at our expense. If a replacement is necessary and your product is no longer available, a comparable product will be substituted. Should a product issue surface, contact us at 800.873.5242.

Manufacturing specifications are subject to change without notice.

PRODUITS MILLER® FALL PROTECTION
ASSURANCE DE SATISFACTION TOTALE

Chez Miller Fall Protection, nous fournissons des équipements de protection contre les chutes de marque Miller de qualité à des millions de travailleurs dans le monde entier depuis 1945.

GARANTIE LIMITÉE À VIE
ASSURÉE GRÂCE À PLUS DE 60 ANS PASSÉS DANS LE DOMAINE DE LA PROTECTION CONTRE LES CHUTES

Nous croyons sincèrement que notre équipement de protection contre les chutes est le meilleur au monde. Nos produits sont soumis à des tests rigoureux, afin d'assurer que les équipements de protection contre les chutes dans lesquels vous avez confiance sont fabriqués selon les normes les plus exigeantes. Les produits de protection contre les chutes Miller sont soumis à des essais pour vérifier qu'ils résistent à une usure normale; ils ne sont cependant pas indestructibles et peuvent s'endommager en cas de mauvaise utilisation. Notre garantie limitée à vie ne s'applique pas à l'usure normale ou à un usage abusif du produit.

Dans le cas peu probable où vous découvririez des défauts, soit de fabrication, soit de matériau, dans le cadre de notre garantie à vie, nous réparerons ou remplacerons le produit à nos frais. En cas de remplacement, si votre produit n'est plus offert, vous recevrez un produit comparable. En cas de problème sur un produit, nous contacter au 800-873-5242.

Les caractéristiques de fabrication peuvent être modifiées sans préavis.

PRODUCTOS ANTICAÍDAS MILLER®
GARANTÍA DE SATISFACCIÓN TOTAL

En Miller Fall Protection, venimos suministrando desde 1945 los equipos de protección anticaídas con la calidad Miller a millones de trabajadores en todo el mundo.

GARANTÍA LIMITADA DE POR VIDA
NOS RESPALDAN MÁS DE 60 AÑOS EN LA FABRICACIÓN DE EQUIPO ANTICAÍDAS

Sinceramente creemos que su equipo de protección contra caídas es el mejor del mundo. Nuestros productos resisten rigurosas pruebas para garantizar que el equipo de protección contra caídas en el que usted confía está fabricado de conformidad con las normas más elevadas. Los productos anticaídas Miller son sometidos a pruebas para que resistan el desgaste normal, pero no son indestructibles y su incorrecta utilización puede dañarlos. Nuestra Garantía limitada de por vida no se aplica al desgaste normal ni al maltrato del producto.

En el poco probable caso de que usted descubriera defectos de mano de obra o materiales, por nuestra Garantía limitada de por vida, repararemos o sustituiremos el producto por cuenta nuestra. Si un reemplazo es necesario y nuestro producto ya no está disponible, se lo sustituiremos por otro comparable.

En caso de que surja un problema con el producto, contáctenos al 800.873.5242.

Las especificaciones de fabricación están sujetas a modificaciones sin previo aviso.



Toll Free: 800.873.5242
Fax: 800.892.4078

Download this manual at: www.millerfallprotection.com
Téléchargez ce manuel à l'adresse: www.millerfallprotection.com
Puede bajar por Internet este manual en: www.millerfallprotection.com

Sperian Fall Protection, Inc.
P.O. Box 271, 1345 15th Street
Franklin, PA 16323 USA