



TRESTLE MONORAIL

Part Number: 1200lb capacity: 60-22 | 2000lb capacity: 60-32

Capacity: 1200lbs | 2000lbs

FEATURES

- Perfect for **heavy-duty projects** featuring a 1200lb and 2000lb capacity
- Trestle Monorail is a free-standing A-Frame that is **ideal for jobsites where scaffolding is not available**
- **Installs easily between floors and rooftops** with no special tools required
- **Customize this mounting system** for use on mast climbing platforms
- **Counterweight Clamp Assembly installs easily**, accommodates standard 50 lb. staging weights and provides complete system counterbalance
- All Beta Max Mounting Systems can be **tailored to your jobsite specifications**
- Capacity: 1200 lbs. or 2000lbs



COMPONENT LIST

- Uprights: 30-76
- Scaff/Trestle Trac: 60-41
- Trac Mounting Pins: 40-54
- Braces : 30-77
- Support Bracket (for 2000lb capacity): 60-23
- Counter Weight Clamp Assy. 60-29

COMPATIBLE HOISTS

- *Scorpio Plus & Scorpio Plus XL*
- *Gemini Plus*
- *New Yorker*
- *Leo & Leo XXL*

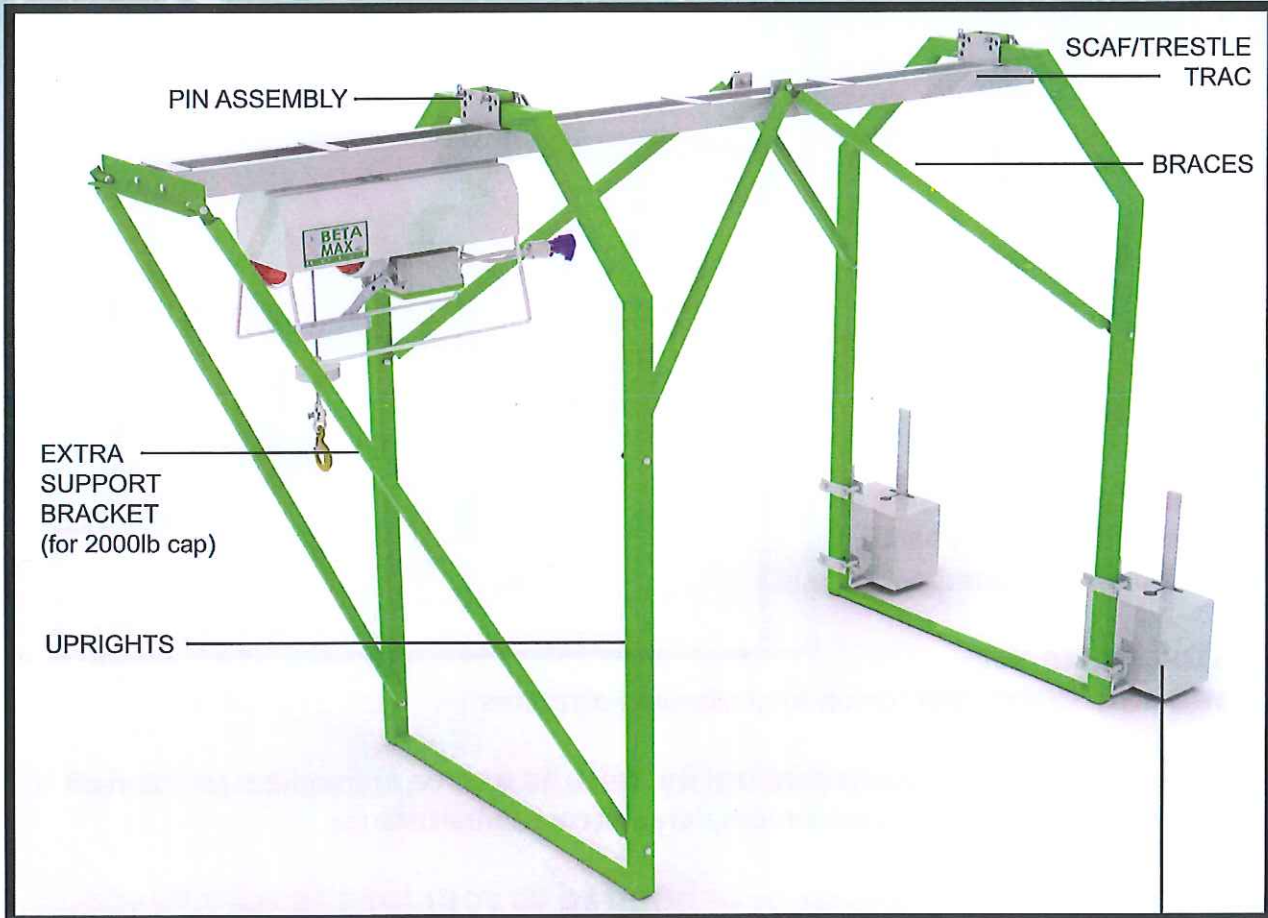
Scaffolding frames should always be securely assembled and counter-balanced appropriately. Beta Max is not responsible for providing I-Beams or counterweights for the Counterweight Clamp Assembly. This information is intended to be informative only, and does not constitute a representation or warranty with regard to Beta Max Hoists or any products or services provided. Prices and information are subject to change. Some or all of the renderings in these materials will vary from the actual hoist systems.



TRESTLE MONORAIL

Part Number: 1200lb Capacity: 60-22 | 2000lb Capacity: 60-32

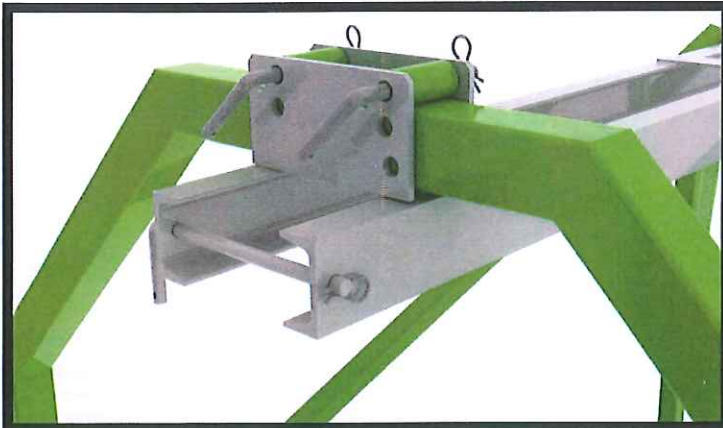
Capacity: 1200lbs | 2000lbs



TRESTLE MONORAIL: 60-22 (1200lb) | 60-32 (2000lb)

COUNTERWEIGHT CLAMP ASSEMBLY

PIN ASSEMBLY - MONORAIL TO TRESTLE ATTACHMENT

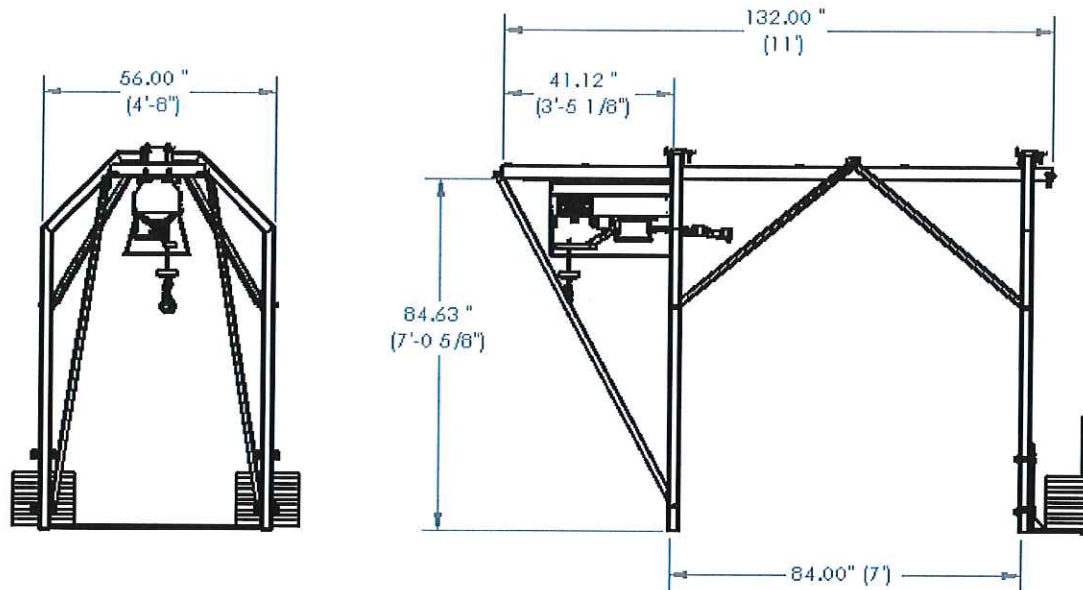




HOIST MOUNTING SYSTEMS

Trestle Monorail

Technical Specifications



The Trestle Monorail is the Universal Mounting System for all Beta Max Portable Hoists. This system is ideal for mounting on a flat roof or an intermediate floor. The system allows a 3.5 ft. cantilever. Two people can assemble the system in minutes.

TRESTLE MONORAIL ANCHORING METHODS

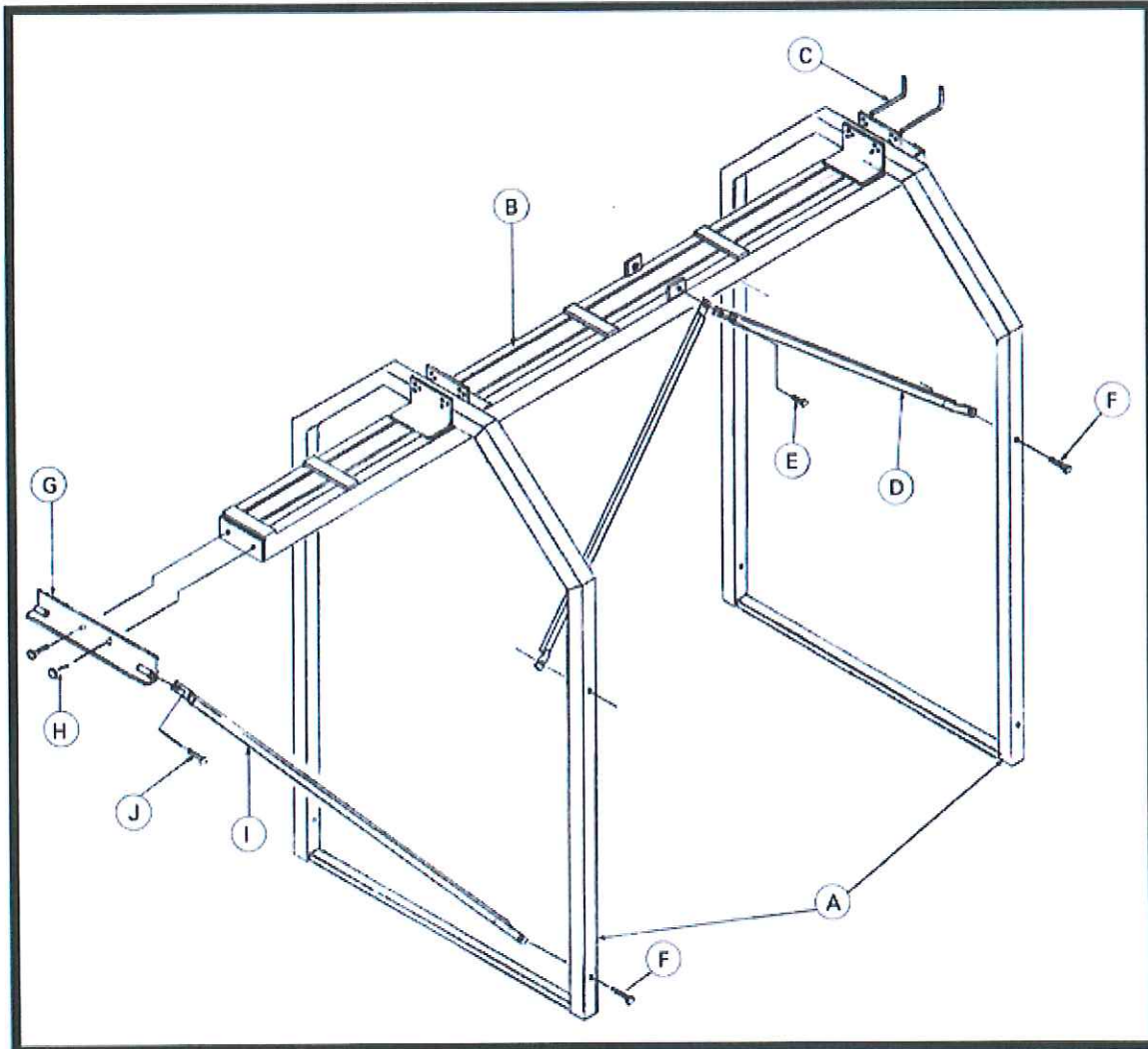
Whatever method you use, additional tie-back ropes should always be in place to secure the system.

Trestle Ceiling Brace: Recommended when the trestle will be installed on an intermediate floor of a building with a rigid structural ceiling above the trestle. The trestle monorail is stabilized by the brace that locks the rear of the trestle between the ceiling and floor on which the system is mounted. After the trestle is assembled and placed in the desired location the jack is bolted to the top of the inboard end of the monorail. The jack must be in firm contact with the ceiling structure.

Floor Tie Down Clamps: Recommended for permanent applications. The clamps attach to the inboard legs of the trestle and allow the system to be anchored by chains or wire rope.

Ballasting: A counterbalance system employing two rigid metal containers (*each with a capacity of 9.5 cubic feet*) bolted to the inboard legs of the trestle. The weight of the material in the ballast containers counterbalances the combined weight of the load and the hoist at the outboard end of the trestle. Ballast material must conform to certain requirements. Bricks, solid concrete blocks, stone or other high density non-flowable material is suggested.

Counterweighting: This method uses counterweight clamps which come complete with mounting hardware and attach securely to the inboard legs of the trestle. This method lets you make use of the flat steel counterweight commonly used for roof outriggers. Standard 50 lb. counterweights slide down over the 27" upright.



Item	Part No	Description	Quantity
A	30-76	Uprights	2
B	60-4	Scaff/Trestle Trac	1
C	10-63	Track Mounting Pins with Keepers	4
D	30-77	Braces	4
E	590	Cap Screws	2
*F	790	Cap Screws and Nuts - 1200 & 2000 lb. systems	4/6
*G	30-75	Cantilever Brace Bracket	1
*H	707	Cap Screws	2
*I	30-74	Cantilever Braces	
*J	606	Cap Screws and Nuts	2
K (not shown)	10-64	Hoist Stop Pin with Keeper	1
L (not shown)	30-5	Saddle - for use with frame scaffold only	2

*Required for 2000 lb. system