

ASSEMBLY INSTRUCTIONS

Fortruss® ROLLING TOWER SCAFFOLD

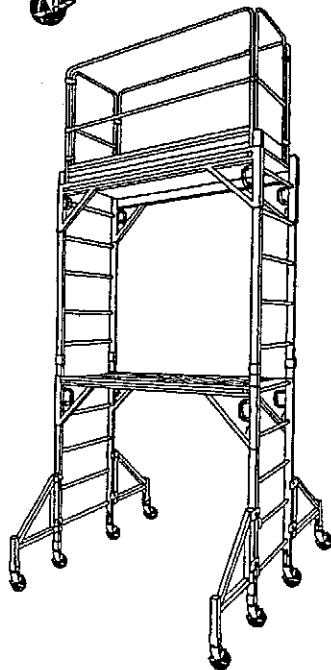
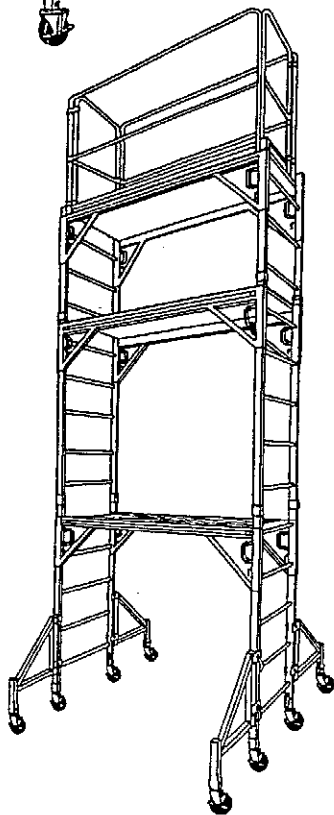
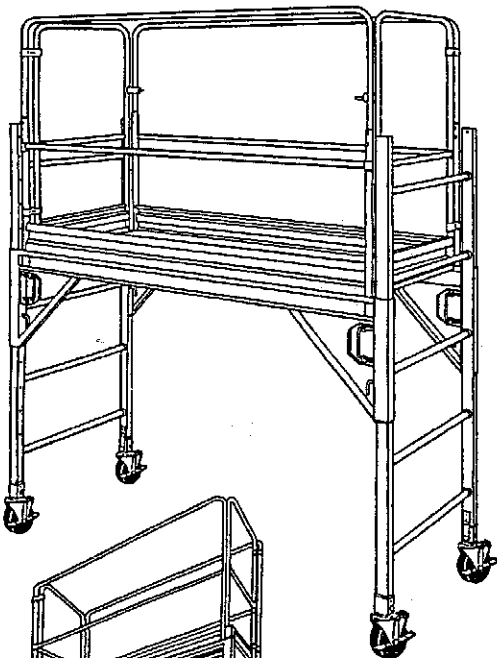
PATENT NO. 5,069,309

MODELS

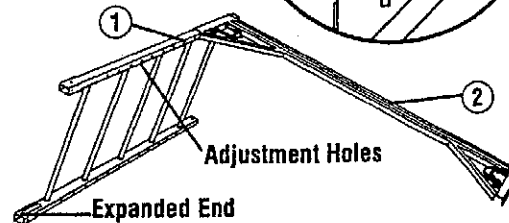
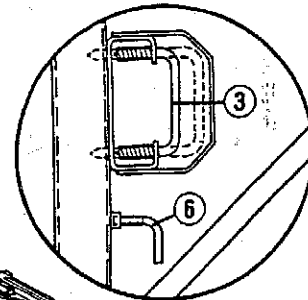
SS0606, SS0608, (6 FT. SINGLE UNIT)

SS1206, SS1208, (12 FT. STACKED UNIT)

SS1506, SS1508, (15 FT. STACKED UNIT)

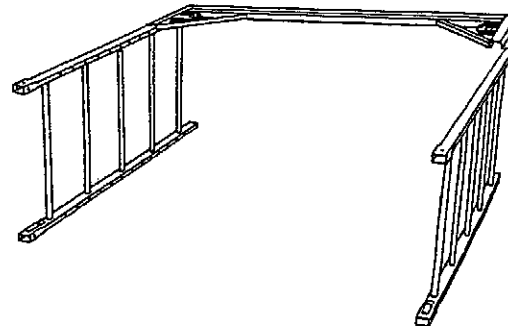


ASSEMBLY INSTRUCTIONS SINGLE UNIT (MAX. HEIGHT 6 FT.)



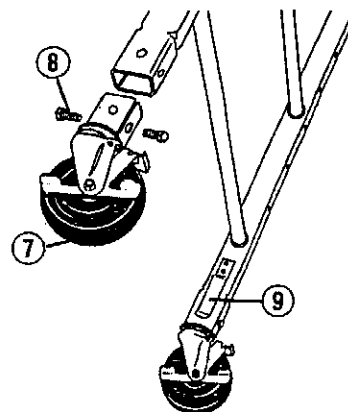
Step 1

Loosen "L" knob (6). As shown above, place one end of truss (2) over end frame (1) and depress "U" pin (3). Line "U" pin (3) with selected adjustment holes in end frame (1) then let "U" pin snap lock into adjustment holes. Let unit rest on floor as shown.



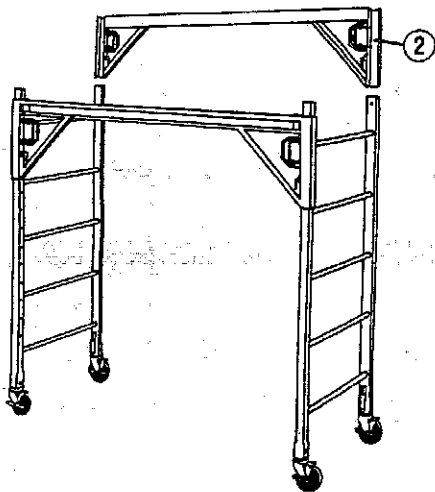
Step 2

Place 2nd end frame (1) under other end of truss (2) as shown. Depress "U" pin and lock into same height adjustment holes as in step 1.



Step 3

Position (4) casters (7) into expanded ends of end frame (1). Push each caster into expansion until it snaps into spring lock (9). Always lock each caster tight in place with (2) 3/8 - 16 x 1.0" bolts (8).



Step 4
Stand unit with 2 end frames and 1 truss upright. Attach 2nd truss (2) to other side of end frames at same height as 1st truss. (Depress "U" pins, choose same height adjustment holes, let "U" pins snap lock back into place).

Step 5
Set plywood plank (10) onto both truss flanges (see Illus.). (Note: smooth rivet heads to topside).

Step 6
Hand tighten "L" knobs (6) to reduce wobble.

Step 7
Lock all 4 casters. (Lock or unlock casters by depressing caster locking lever located on side of wheel).

IF AN ADDITIONAL UNIT IS TO BE USED, GO ON TO STEP 12

Step 8
If guardrails are required, proceed as follows: Position bottom posts of guardrail and gate assembly (11) into holder tubes (13) located at each end of truss (2). Make sure gate swings inward, not outward. Insert (2) hair pins (12) in holes in post at underside of truss (2) (see Illus.). Position other guardrail and gate assembly to other side of unit in the same manner.

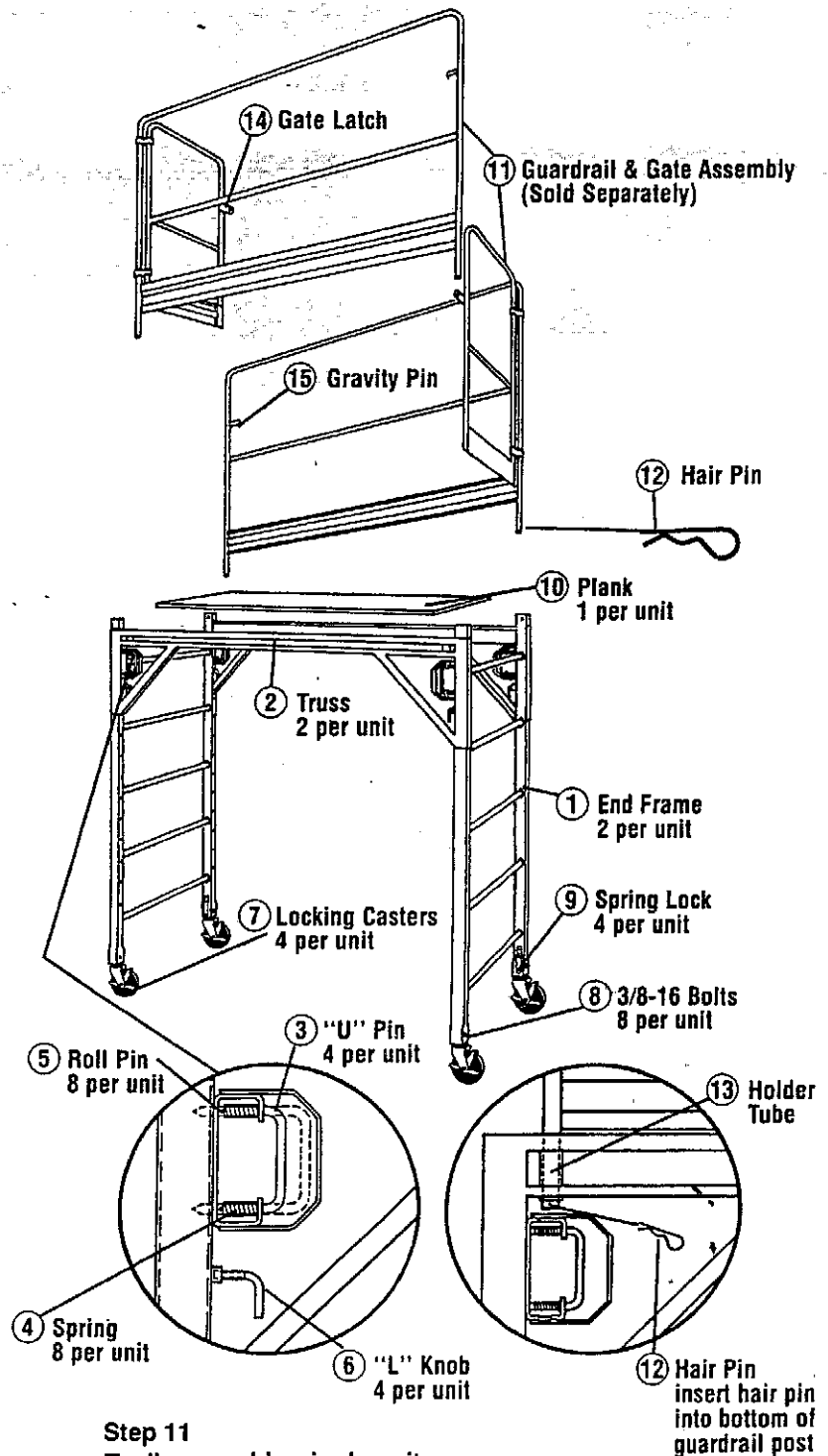
Step 9
Always lock gate to side guardrail by swinging gate latch (14) over gravity pin (15). (To open, push up lock at end of gravity pin and open gate).

THE SINGLE UNIT ASSEMBLY IS COMPLETE

Step 10
To readjust height of unit

- 1st - Remove guardrail and gate assemblies (11)
- 2nd - Remove plank (10)
- 3rd - Loosen "L" knob (6)
- 4th - Depress "U" pins (3) in truss, remove one truss, reposition truss to desired height, line "U" pins with adjustment holes and let "U" pins snap back into place. Repeat with other truss. Replace plank and guardrails as in steps 5, 6, 8 & 9.

**MODELS: SS0606, SS0608
(SINGLE UNIT)**



Step 11
To disassemble single unit

- 1st - Remove guardrail and gate assembly (11)
- 2nd - Remove plywood plank (10)
- 3rd - Loosen "L" knobs (6)
- 4th - Remove one truss (2)
- 5th - Set unit down on floor
- 6th - Remove 2nd truss (2)
- 7th - Casters may be removed by: Removing both bolts (8), pulling up on spring lock (9) and pulling caster out from end of tube.

**ASSEMBLY INSTRUCTIONS
STACKED UNIT
(TWO 6 FT. UNITS FOR THE MAX. HEIGHT 12 FT.)**

**MODELS:
SS1206, SS1208
SS1506, SS1508
(STACKED
UNITS)**

Step 12

Assemble bottom unit as described in steps 1 thru 7.

Step 13

Adjust bottom unit truss and plank to approximate height of 5 ft. from the floor as described in step 10. Truss cannot be at highest position when stacking. (Note: Always remove plank before adjusting trusses).

Step 14

To attach (4) outriggers (16) with casters (7) to end frames (1) of bottom unit (see illus.). (First position casters into outriggers and secure each caster with (2) bolts (8) as described in step 3). To attach outrigger to unit, loosen (2) handle nuts (17) to allow clamps (18) to be located around outside leg of end rail. Position outrigger on leg so that caster on outrigger is in contact with the ground, then tighten (2) handle nuts to secure each outrigger in place. **LOCK ALL CASTERS.**

WARNING: Never use stacked assembly without (4) outriggers in place.

Step 15

Attach expanded end of one end frame (1) over top of one of the lower end frames and secure in place by pushing down, snapping top and bottom sections together. (Spring lock (9) on top end ladder must snap into bottom section).

Step 16

Attach and secure the other end frame (1) over top of the other lower end frame (1) as in step 15.

Step 17

Attach one truss (2) to both upper end frames (1) at desired height (see illus.). (Be sure "U" pins lock into place).

Step 18

Attach 2nd truss (2) to other side of end frames (1) at the same height as 1st truss (see illus.). (Be sure "U" pins lock into place).

Step 19

Repeat steps 5, 6, and 7.

Step 20

Add guardrails, proceed as in step 8 and 9.

**STACKED UNIT
(TWO 6 FT. UNITS AND ONE 42 IN. UNIT FOR
THE MAX. HEIGHT 15 FT.)**

Step 21

When adding 42 in. unit, locate middle unit trusses and plank approx. one foot down from top position. **Do not use 42 in. unit on bottom.**

Step 22

Repeat steps 15 thru 18 using 42 in. unit end frames (19) in place of end frames (1).

Step 23

Repeat steps 5, 6, and 7.

Step 24

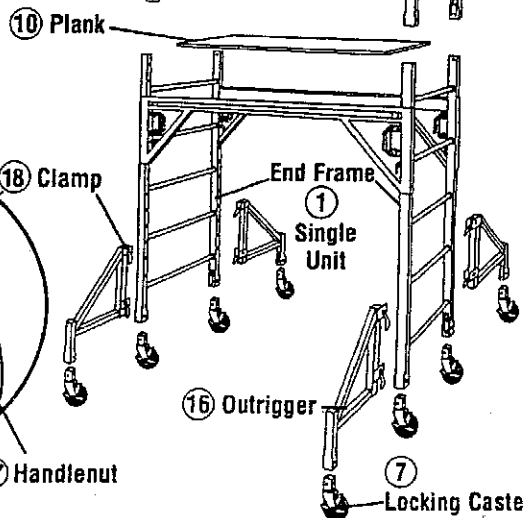
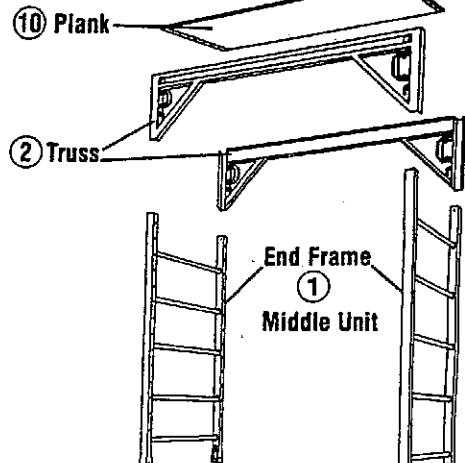
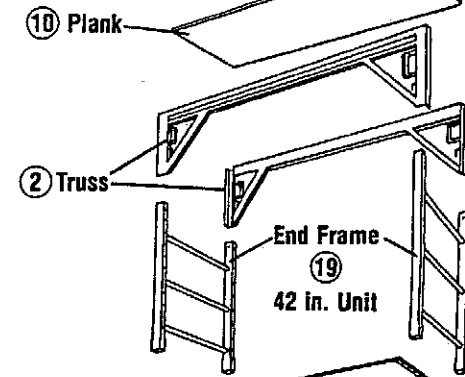
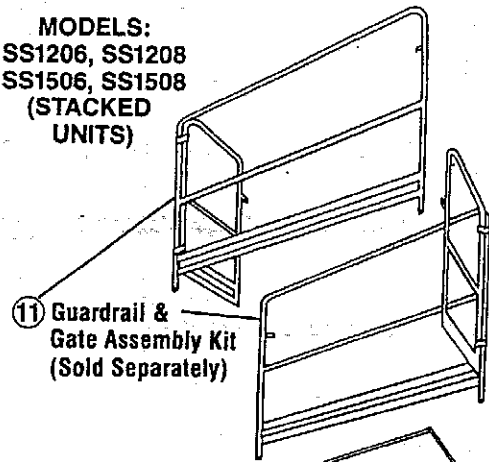
Add guardrails, proceed as in step 8 and 9.

Step 25

To adjust unit, see step 10.

To disassemble stacked units

Reverse steps 20 thru 15 and 25 thru 21. Remove outriggers, then follow step 11 to disassemble bottom unit.



WARNING: Failure to read and follow instructions could lead to serious injury or death.
CAUTION: Electrical shock hazard – never use where contact may be made with electricity.

LOAD RATINGS

Models SS0606, SS1206, SS1506 capable of supporting 50 lbs. per sq. ft. – do not exceed 655 lbs. on single or stacked units.
 Models SS0608, SS1208, SS1508 capable of supporting 25 lbs. per sq. ft. – do not exceed 450 lbs. on single or stacked units.

INSPECTION

1. Inspect for damage or missing parts upon receipt and before use.
2. Never use if damaged. Return for repair or discard.
3. Check all parts, rivets and bolts for good working order.
4. Never use if parts are missing.
5. Make sure unit is free from wet paint, mud, grease or other slippery materials.
6. Discard if exposed to fire or chemicals.

STORAGE

1. Never store other material on scaffold.
2. Properly support scaffold in transit.

SET-UP

1. Assemble scaffold per instructions provided with unit.
2. Make sure all casters are bolted to unit.
3. Make sure 4 locking U-pins are fully engaged and 4 L-knobs are hand tightened before climbing.
4. Always use guardrails when plank height is 10 feet or above. Secure guardrails to unit using 4 hair pins provided.
5. For stacked units locate trusses and plank on 68" bottom unit at approx. one foot down from top and **always** attach 4 outriggers before stacking to prevent tipping.
6. Do not stack units over 15 feet maximum stack height and **do not** use 42 inch unit on bottom of assembly.
7. Each unit of stacked assembly must include its own 2 truss supports and plank located as follows:
 - a. Bottom unit – locate trusses and plank approx. one foot down from top position. Attach outriggers to this unit.
 - b. Middle unit – for 15 foot assembly locate trusses

and plank at approx. one foot down from top position.
 c. Top unit – locate trusses and plank to desired position.

USE

1. Set up unit on firm level surface and lock all casters before climbing.
2. Access plank by climbing up rungs and over top of end frame. Do not swing around end frame to access plank.
3. When using guardrails, close and latch gate after accessing plank.
4. Total combined weight of man and materials shall not exceed load ratings of unit (see above). Never overload scaffold.
5. Never drop or apply any impact load to scaffold.
6. Metal scaffold **Conducts Electricity**. Do not use where contact can be made with electrical circuits.
7. Do not over reach, move scaffold instead. Tie off to building when possible to prevent tipping.
8. Never climb onto scaffolding from a ladder unless both are secure from movement.
9. Never use ladders or other devices on scaffold to gain greater height.
10. Never allow loose objects to accumulate on plank.
11. Never roll scaffold with person on plank.
12. Never use in front of unlocked doors.
13. Never use in poor health or while taking drugs or alcoholic beverages.
14. Never leave assembled unit unattended.

PARTS LISTS

*Model SS0606 (6' Length Unit) Consists of :

ITEM	QTY.	PART NO.	DESC.
①	2	305107A	End Frame
②	2	395037A	Truss
③	4	999827	U Pin
④	8	999817	Compression Spring
⑤	8	999828E	Rollpin
⑥	4	391096	"L" Knob
⑦	4	921005A	Caster
⑧	8	999340F	Hex Bolt 3/8-16 x 1
⑨	4	396029A	Spring Lock
⑩	1	595000A	Plank

*NOTE: For SS1206 and SS1208 (12' high units) double the quantities for parts list.

6' Guardrail Kit for Models SS0606, SS1206 & SS1506

ITEM	QTY.	PART NO.	DESC.
⑪	1	398006A	Guardrail & Toeboard Kit

Outrigger Kit (#398007) Consists of:

ITEM	QTY.	PART NO.	DESC.
⑫	4	305112	Outrigger Assy. without Caster
⑬	8	999830	Handle Nut
⑭	8	314074B	Outrigger Clamp

*Model SS0608 (8' Length Unit) Consists of :

ITEM	QTY.	PART NO.	DESC.
①	2	305107A	End Frame
②	2	395037B	Truss
③	4	999827	U Pin
④	8	999817	Compression Spring
⑤	8	999828E	Rollpin
⑥	4	391096	"L" Knob
⑦	4	921005A	Caster
⑧	8	999340F	Hex Bolt 3/8-16 x 1
⑨	4	396029A	Spring Lock
⑩	1	595000B	Plank

8' Guardrail Kit for Models SS0608, SS1208 & SS1508

ITEM	QTY.	PART NO.	DESC.
⑪	1	398006B	Guardrail & Toeboard Kit

Model SS1506, SS1508 (42 in. Unit)

ITEM	QTY.	PART NO.	DESC.
⑰	2	305107B	End Frame
⑱ thru ⑩			same as SS0606 and SS0608