

Kenco Swiftway

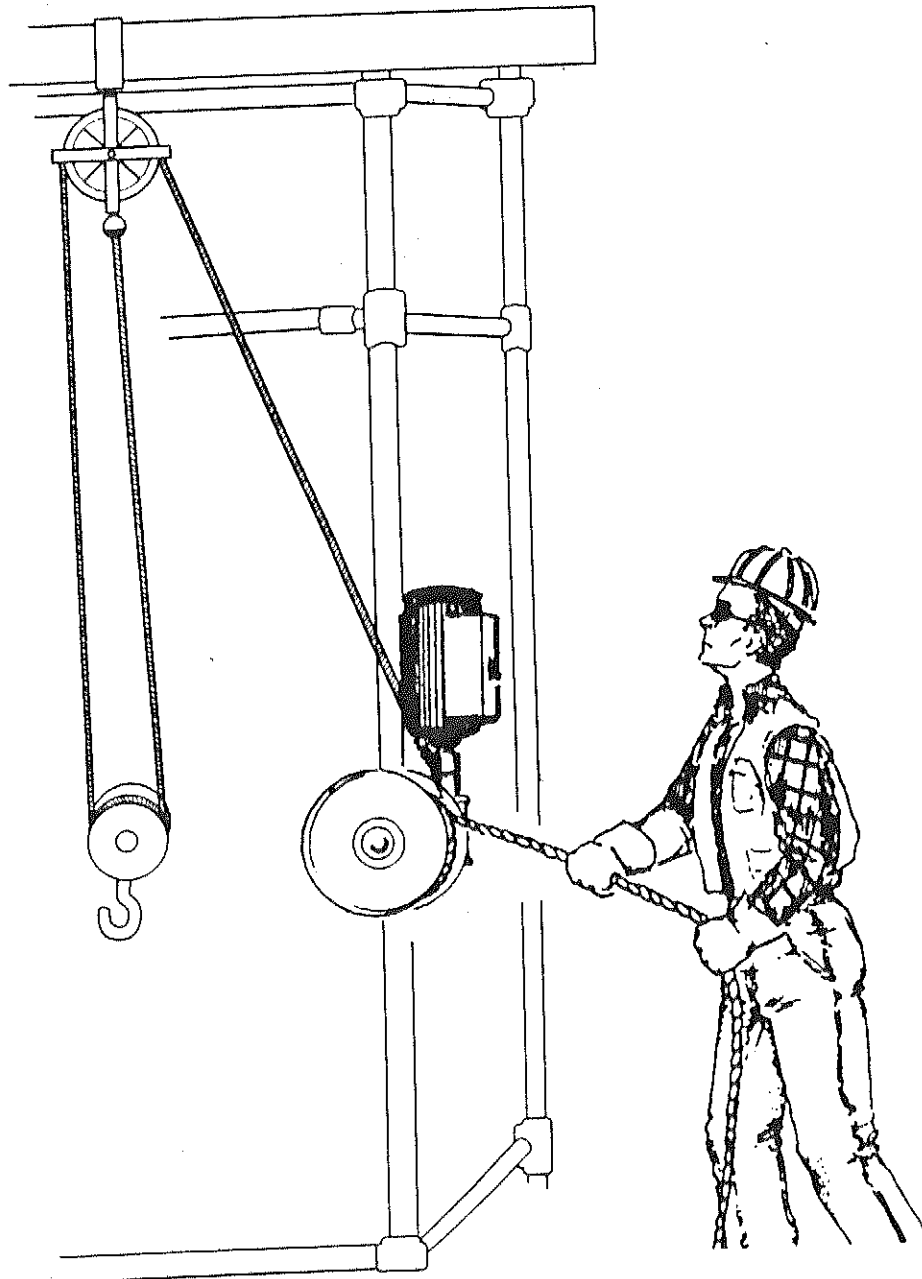
ADVANTAGE

1. **FAST:** *Maximum raise speed of 210 fpm*
2. **QUICK:** *Raise and lower cycle*
3. **CONVENIENT:** *Install, remove & relocate in minutes*
4. **EASY:** *Takes minutes to learn and operate;
No brakes, clutch or accelerator*
5. **BENEFITS:** *Electric motor 115/220 volts provides
continuous use;
No Burnout - Will not overheat and
cause downtime*
6. **CARE:** *Check oil levels*

959 Wootton Street, P.O. Box 202
Boonton, NJ 07005
(888) SWIFTWAY (888) 794-3892
email: kenco959@yahoo.com

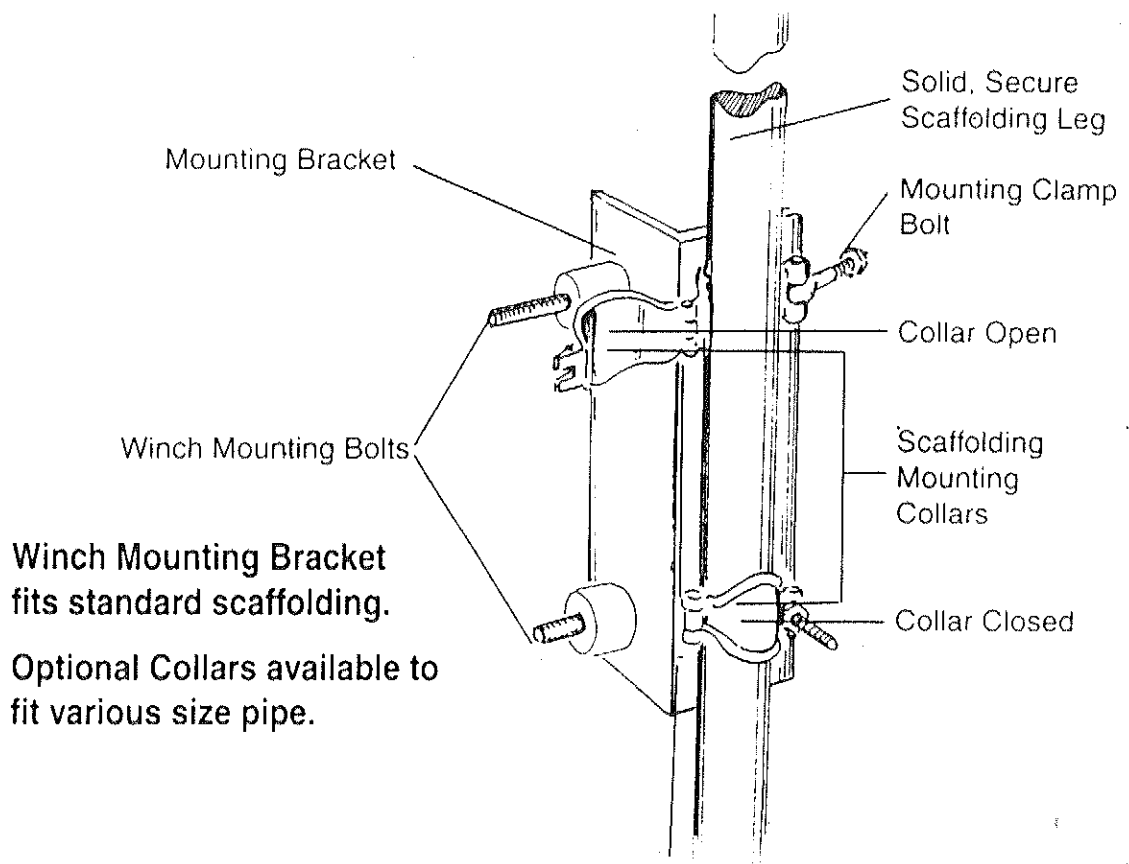
Kenco Swiftway

"Serving the Industry since 1980"

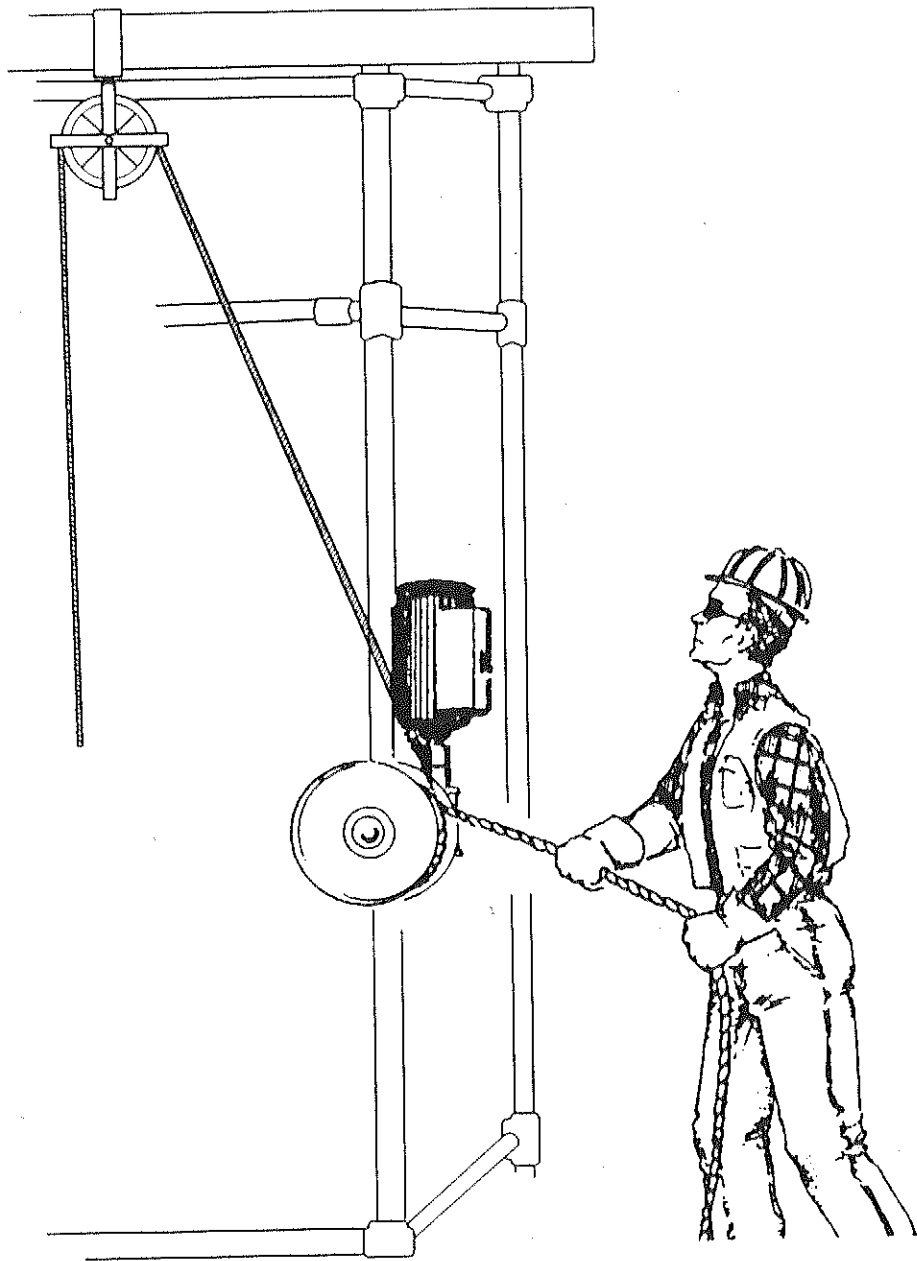


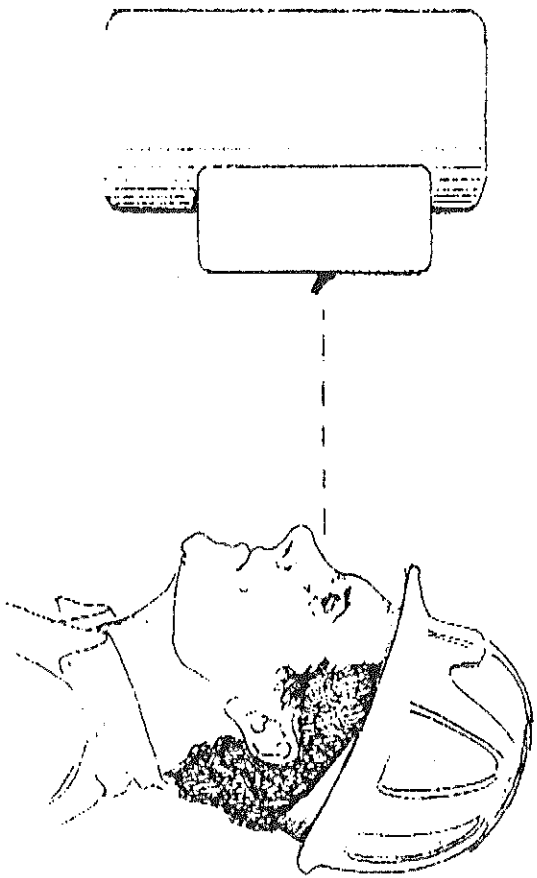
"Endless possibilities with the KS200 SEA"

Swiftway says it all. . . .



Winch Mounting Bracket fits standard scaffolding.
Optional Collars available to fit various size pipe.





PROPER WORKING LEVEL