

THE SMART WAY™

**SAFWAY®**

# SafRise Climber™ Work Platform



**Elevating Performance  
to Increase Access,  
Efficiency & Safety**



**SAFWAY®** Group

# SafRise Climber™ – increasing productivity with safe vertical access at the highest speed-to-capacity ratio available.



High speeds. Immense capacity. Corners, angles and curves. With SafRise Climber™ the Safway Group's highly adaptable work platform, nothing is out of reach. When you need to lift equipment, labor and materials to optimum ergonomic working heights, consider SafRise Climber™ to improve performance, efficiency and safety. It's **The Smart Way™** to handle high-level access challenges.

## **The Ultimate Work Platform**

Using standard 230-volt, 3-phase power – easy to find in any building – SafRise Climber™, the Safway Group's highly adaptable work platform, delivers safe, vertical access for new construction, maintenance and restoration projects. Providing the highest speed-to-capacity ratio on the market, SafRise™ can move live weight of up to 8,000 pounds on a 50-foot wide platform length at a speed of 30-feet per minute. SafRise™ can be adjusted and modified in single or twin configurations to accommodate the needs of multiple trades and a wide variety of types of work.

## **Unique Controlled Descent**

Turns, corners, speed and weight ratios, however, are not nearly as important as safety. This is where

the Climber is truly in a class by itself. SafRise™ offers a unique controlled descent capability. This "overspeed" safety feature allows SafRise™ to recognize if descent is too fast. But instead of stopping altogether – leaving crews and materials stuck – SafRise™ safely slows down while continuing to descend, until touching the bumpers at the bottom.

## **Engineering, Training & Support Make the Difference**

Safway is dedicated to providing the engineering support, training and expertise to optimize the safe and productive application and use of SafRise™, as well as all of our products and solutions. With the largest in-house Research, Development and Engineering Department in the industry, Safway can design and

<b>Power</b>	230-volts, 3-phase
<b>Rated Capacity</b>	10,800 lbs.
<b>Live Capacity</b>	Maximum capacity 50' single 8,000 lbs. Maximum capacity 120' twin 13,000 lbs.
<b>Speed</b>	30-feet per minute
<b>Platforms</b>	Conforms to angles and curves

**SPECIAL FEATURES**  
**Unique emergency descent overspeed brake. Modular design with 10', 5' or 2'-6" sections.**



plan every aspect of your project to deliver a comprehensive multiservice solution. Supported by state-of-the-art 3-D Computer-Aided Design (CAD) and structural analysis software, our licensed civil, structural and mechanical engineers can develop custom, innovative solutions to meet the unique needs of any project – often offering significant savings in labor costs, equipment and time.

### **Project Management Ensures High Efficiency**

You can count on Safway to provide experienced, industry-specific project management and field supervision to deliver hands-on direction and oversight. From pre-job conferences and on-site inventory management

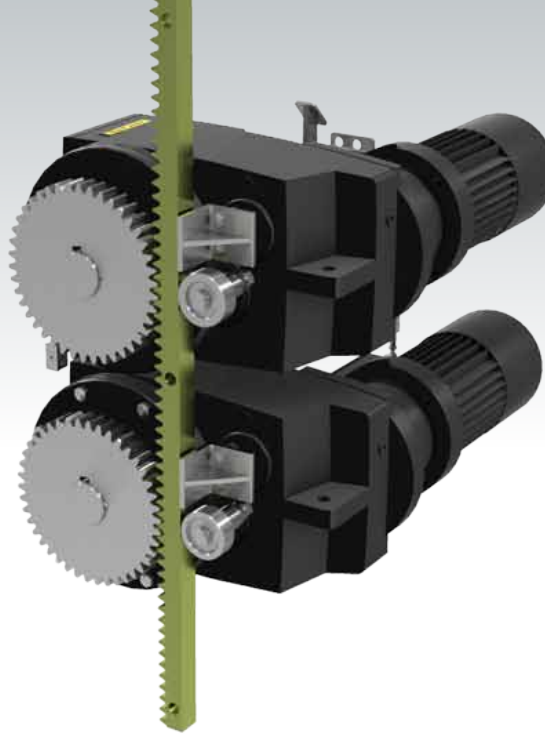
to transportation of equipment and coordination of services, Safway's project managers can oversee the entire job.

### **Award-winning Safety**

And our bottom line? Safety. It's our number one value. Safway believes every worker has the right to return home safe at the end of each day, and we



are committed to developing a safe culture along with a comprehensive system to support continuous improvement in this critical area. Safway has an outstanding track record in safety, which was highlighted most recently by "EHS Today" magazine, when we were named one of America's safest companies. We can provide onsite expertise to assist site safety professionals, who receive support from the largest in-house safety team in the industry.



which are part of the Safway Group, we can offer superior expertise, from access to industrial services. In addition, Safway's network of over 90 branches and locations throughout North America, along with our growing system of distributors worldwide, allows us to efficiently deliver products, services, local labor and expertise, when and where you need them. An industry leader since 1936, you can rely on Safway to meet all of your access and industrial service needs. We look forward to partnering with you on your next project.

### **The Safway Group Advantage**

The versatility of our services and products like SafRise™ is only part of the Safway Group

advantage. By optimizing the resources and drawing on the experience and talent available through the various companies,

Through **SMART Safety** practices, **SMART Planning** methodologies, **SMART Process** discipline and **SMART Technology** advancements, our **SMART People** come up with ideas every day to deliver **THE SMART WAY™**. The result? Safe, productive work sites – and the lowest total installed cost.



Safway Group Holding LLC  
N19 W24200 Riverwood Drive  
Waukesha, WI 53188  
Toll free: (800) 558-4772  
Telephone: (262) 523-6500  
[www.safwaygroup.com](http://www.safwaygroup.com)

Safway Group Companies:

